

546 SENSOR BODY AVAILABLE IN -
CVPC, POLYPRO, KYNAR AND PEEK,
WITH EPDM, VITON OR KALREZ SEALS

TEFLON LIQUID JUNCTION WITH THE FOLLOWING OPTIONS:
RUGGEDIZED HEMI, RUGGEDIZED FLAT, LOW TEMP HEMI PH GLASS ELECTRODE,
FLUSH JUNCTION, RECESSED, OR NOTCHED ELECTRODE PROTECTION.
POLYPRO AND KYNAR BODY SENSORS AVAILABLE WITH OR WITHOUT SOLUTION GROUND

"L" DIMENSION
SUPPLIED STANDARD 0.5" UNLESS OTHERWISE SPECIFIED BY CUSTOMER

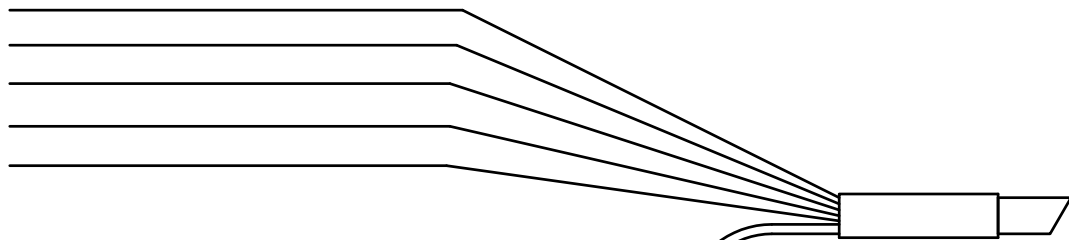
AVAILABLE 0.5" TO 5.0" INSERTION DEPTHS AT 0.5" INCREMENTS
FOR NON SOLUTION GROUND BODIES,
7/8" WRENCH FLATS ARE ELIMINATED ON 4.0", 4.5" AND 5.0" INSERTION DEPTHS.

POLYPRO AND KYNAR SOLUTION GROUND BODY SENSORS ARE AVAILABLE
IN 0.5" TO 3.5" INSERTION DEPTHS AT 0.5" INCREMENTS.

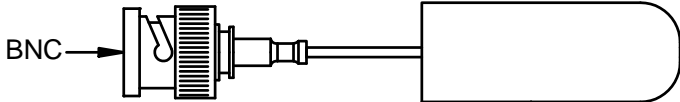
CPVC / POLYPRO MAX 100 PSIG @ 75C -35PSIG @MAX 100C
KYNAR / PEEK MAX 150PSIG @ 70C - 40PSIG @ MAX 130C

WIRING TERMINATIONS SHOWN ARE FOR EXAMPLE ONLY
MANY WIRING CONFIGURATIONS ARE AVAILABLE

22AWG LEADS



LOW NOISE COAX

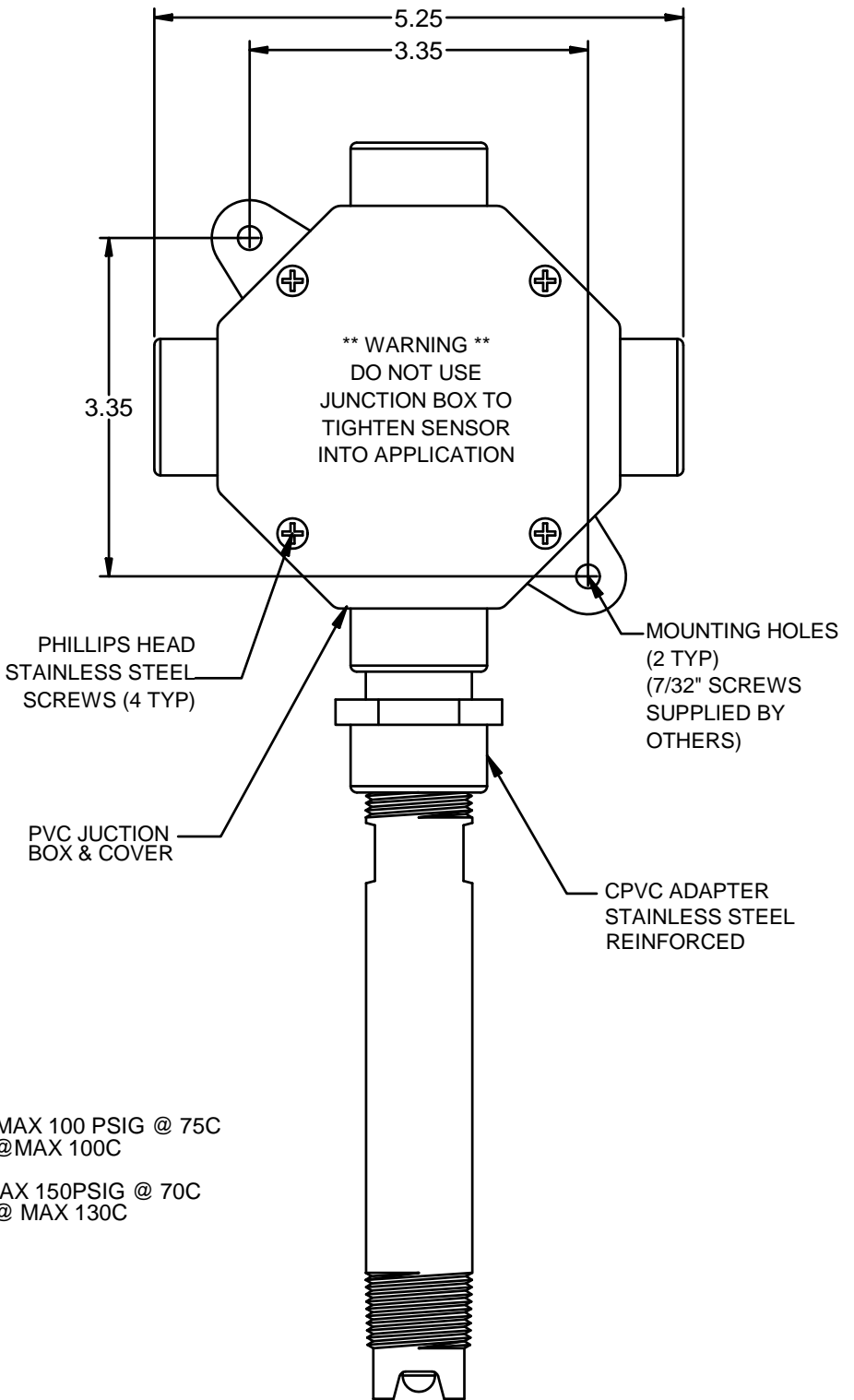
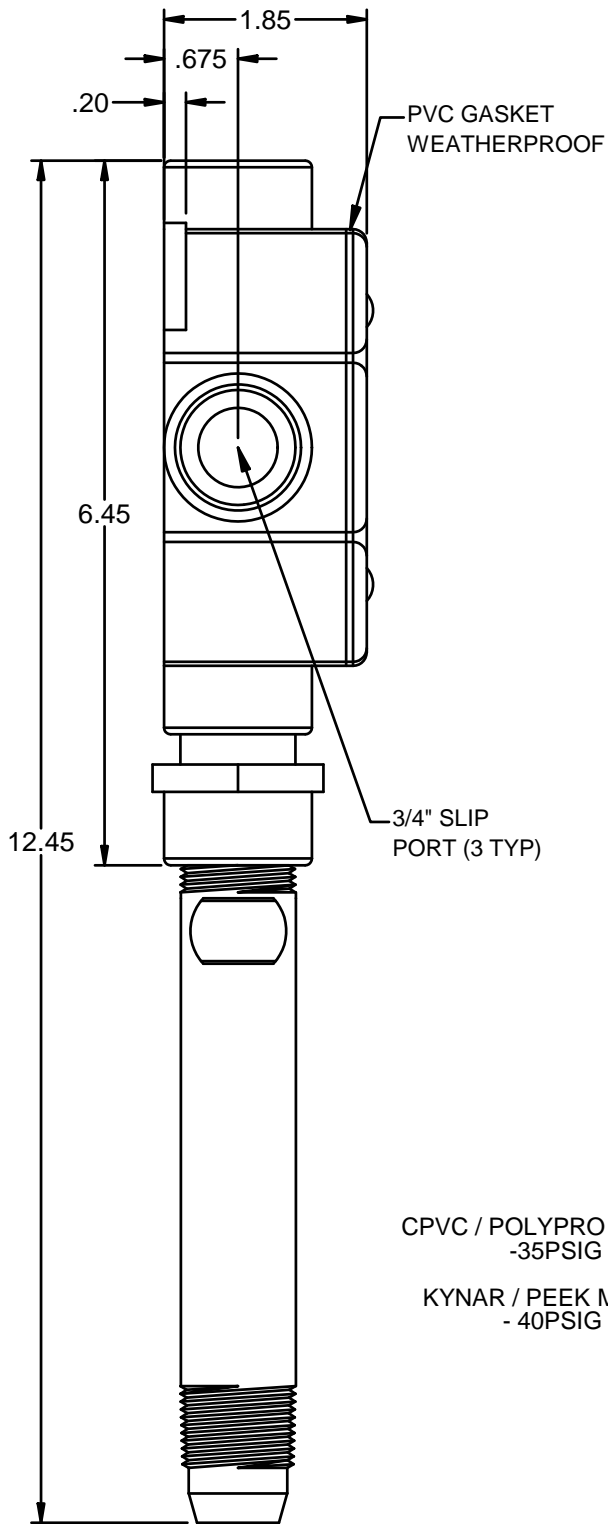


PROTECTIVE BNC VINYL BOOT

FLEXIBLE TPE JACKETED CABLE
LENGTH CUSTOMER SPECIFIED
MAXIMUM LGTH. 50 FT.

J	04/10/12	TITLE BLOCK, UPDATE	WC	HWM
REV	DATE	DESCRIPTION	DWN	APVD
REVISIONS				
N/A			N/A	
MATERIAL/DESCRIPTION			PART NO.	

DIMENSIONS IN INCHES TOLERANCES	546 pH SENSOR			
	PART NO. 546 pH SENSORS	FOR 546 SENSORS		
FRACTIONAL ALL ± .015"				
ANGLES ± 1/4° UNLESS OTHERWISE SPECIFIED	DRAWN BY W. COWAN	ECO	DRAWING NO 2P0001	
	APVD BY HWM	1260	SCALE 1:1	SHEET 1 OF 2
	DATE 04/04/2000	SIZE		



CPVC / POLYPRO MAX 100 PSIG @ 75C
 -35PSIG @MAX 100C

KYNAR / PEEK MAX 150PSIG @ 70C
 - 40PSIG @ MAX 130C

**** WARNING ****
 DO NOT USE
 JUNCTION BOX TO
 TIGHTEN SENSOR
 INTO APPLICATION

J	04/10/12	TITLE BLOCK, UPDATE	WC	HWM
REV	DATE	DESCRIPTION	DWN	APVD
REVISIONS				
N/A				
N/A				

DIMENSIONS IN INCHES TOLERANCES	546 pH SENSOR WITH JUNCTION BOX			
	PART NO. 546 pH SENSORS		FOR 546 SENSORS	
FRACTIONAL ALL ± .015"	 <small>Analyzer Technology, LLC O'BRIEN 5200 Cornvair Drive Carson City, NV 89706 PH(775)883-2500 FAX (775)297-4740</small>			
ANGLES ± 1/4° UNLESS OTHERWISE SPECIFIED	DRAWN BY W. COWAN	ECO 1260	DRAWING NO 2P0001	
	DATE 04/04/2000	SCALE 1:1	SIZE	SHEET 2 OF 2