

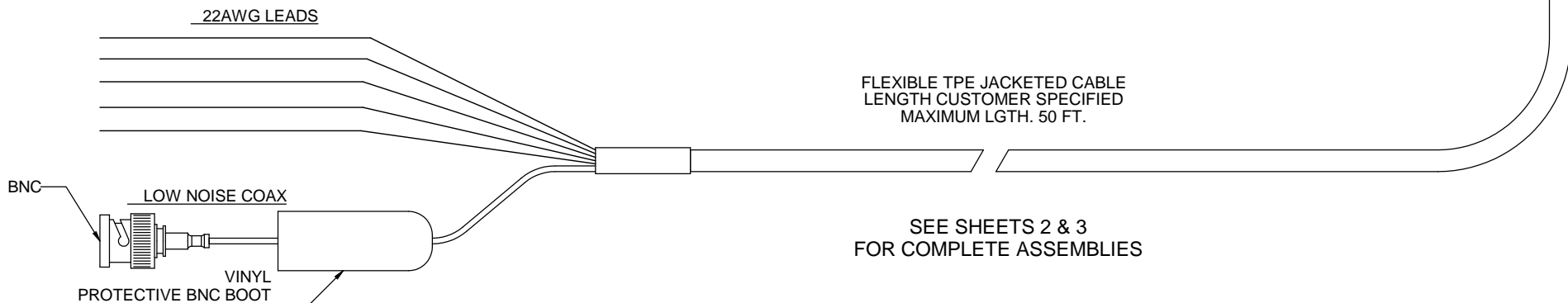
AVAILABLE OPTIONS INCLUDE: HEMI & FLAT ELECTRODES
NOTCHED, RECESSED, OR FLUSH TIP CONFIGURATIONS

INSERTION / RETRACTION PRESSURE RECOMMENDED 65PSIG -
ABSOLUTE MAX 100PSIG
MAXIMUM OPERATING PRESSURE & TEMPERATURE RATINGS
(SEE CHART 2C0002)
(FOR HIGH PRESSURE CONFIGURATION SEE DRAWING 2P0044)

KYNAR AND PEEK BODY
Max 150PSIG (1035kPa) at 158DEG F (70DEG C)
40PSIG (276kPa) at Max 266DEG F (130DEG C)

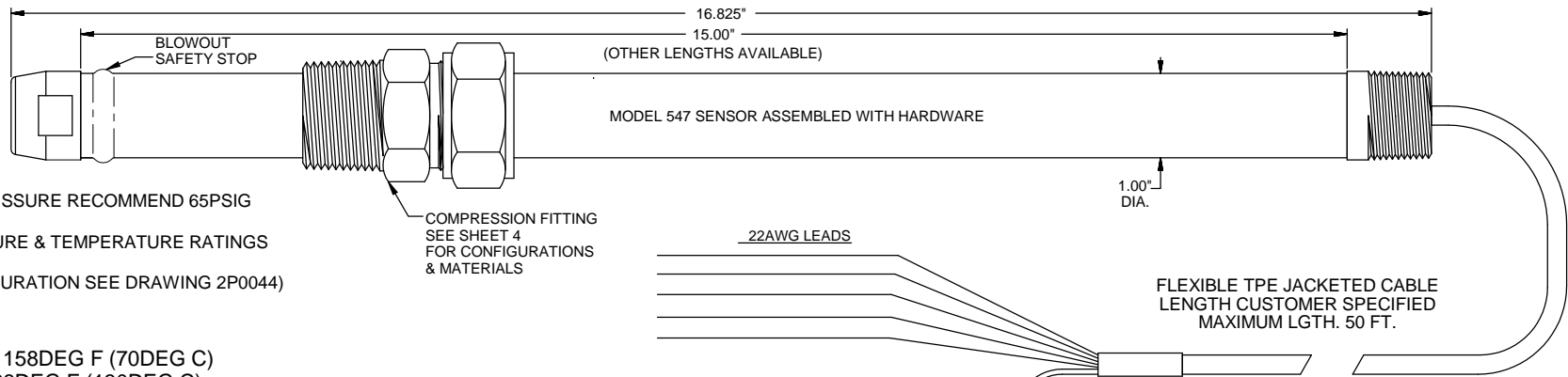
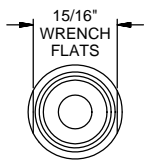
CPVC AND POLYPROYLENE BODY
Max 100PSIG (690kPa) at 167DEG F (75DEG C)
35PSIG (242kPa) at Max 212DEG F (100Deg C)

WIRING TERMINATIONS SHOWN ARE FOR EXAMPLE ONLY
MANY WIRING CONFIGURATIONS ARE AVAILABLE
SEE DRAWING P0033



REV	DATE	REVISIONS	WC	HWM
G	10/17/13	REVISE NOTES AND TEXT		

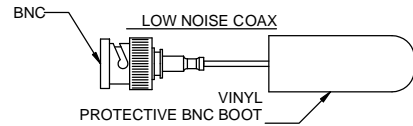
DIMENSIONS IN INCHES		MODEL 547 pH/ORP SENSOR CARTRIDGE OUTLINE		
TOLERANCES				
.0 ± .015"	SEE DETAILS	PART NO.		
.00 ± .010"		DRAWING NO		
.000 ± .005"		2P0004		
FRACTIONAL ALL ± .015"				
ANGLES ± 1/4°		5200 Convair Drive Carson City, NV 89706 PH(775)883-2500 FAX (775)297-4740 ANALYZER TECHNOLOGY, LLC O'BRIEN		
UNLESS OTHERWISE SPECIFIED	DATE	SCALE	SIZE	SHEET
	06/27/2000	1:1		1 OF 4



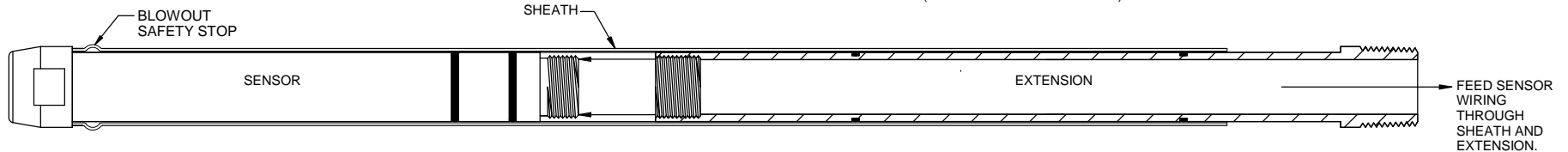
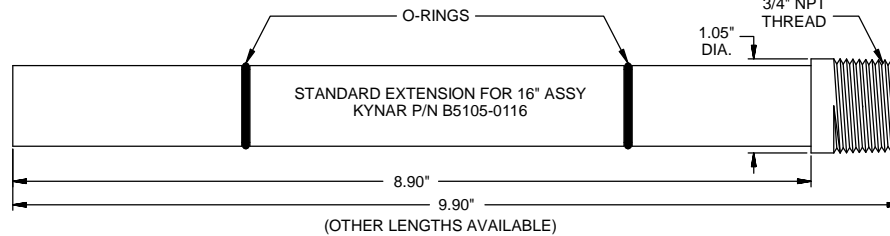
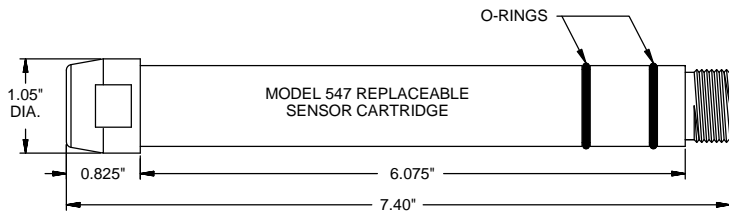
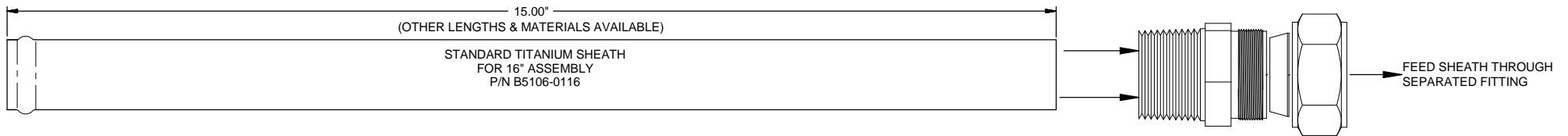
INSERTION / RETRACTION PRESSURE RECOMMEND 65PSIG
 - ABSOLUTE MAX 100PSIG.
 MAXIMUM OPERATING PRESSURE & TEMPERATURE RATINGS
 (SEE CHART 2C0002)
 (FOR HIGH PRESSURE CONFIGURATION SEE DRAWING 2P0044)

KYNAR AND PEEK BODY
 Max 150PSIG (1035kPa) at 158DEG F (70DEG C)
 40PSIG (276kPa) at Max 266DEG F (130DEG C)

CPVC AND POLYPROYLENE BODY
 Max 100PSIG (690kPa) at 167DEG F (75DEG C)
 35PSIG (242kPa) at Max 212DEG F (100Deg C)

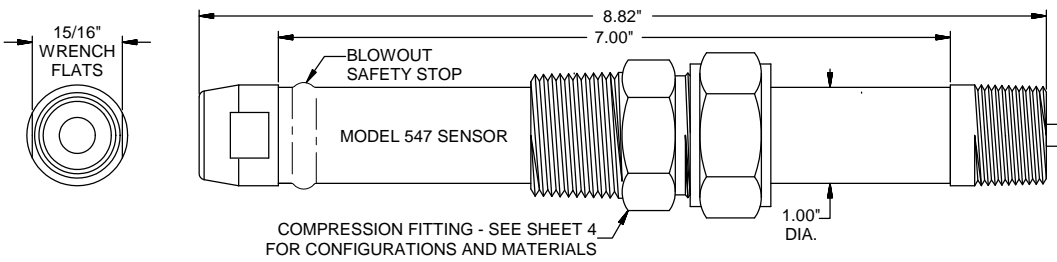


WIRING TERMINATIONS SHOWN ARE FOR EXAMPLE ONLY
 MANY WIRING CONFIGURATIONS ARE AVAILABLE
 SEE DRAWING P0033

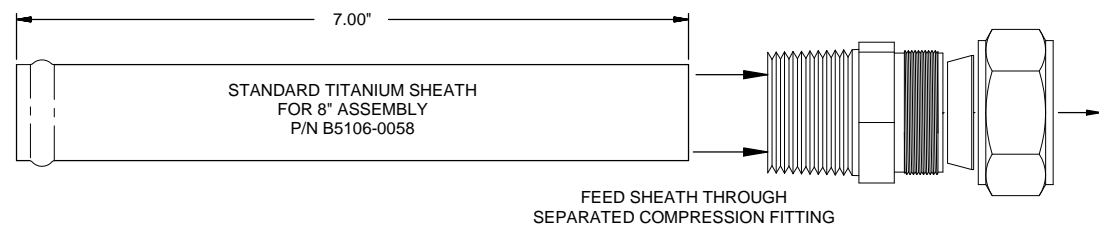


G	10/17/13	REVISE NOTES AND TEXT	WC	HWM
REV	DATE	DESCRIPTION	DWN	APVD
REVISIONS				

DIMENSIONS IN INCHES	MODEL 547 16" pH/ORP SENSOR ASSEMBLY OUTLINE							
					PART NO.			
TOLERANCES	SEE DETAILS							
.0 ± .015"	BARBEN AMETEK Analyzer Technology, LLC O'BRIEN 5200 Convoir Drive Carson City, NV 89706 PH(775)883-2500 FAX (775)297-4740							
.00 ± .010"					DRAWN BY	W. COWAN	ECO	DRAWING NO
.000 ± .005"					APVD BY	HWM	1856	2P0004
FRACTIONAL ALL ± .015"	DATE	06/27/2000	SCALE	1:1	SIZE		SHEET	2 OF 4
ANGLES ± 1/4°								
UNLESS OTHERWISE SPECIFIED								



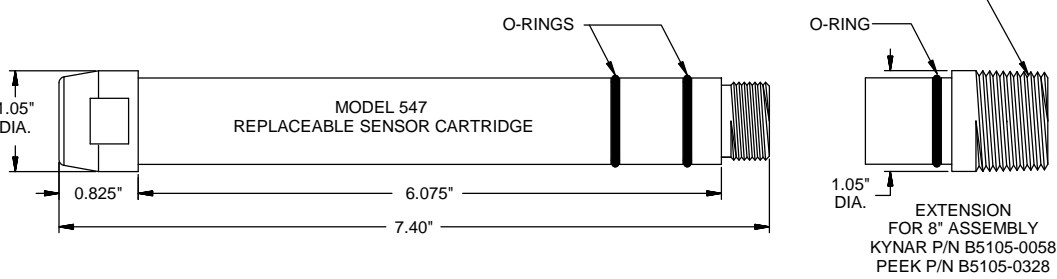
FLEXIBLE TPE JACKETED CABLE
 LENGTH CUSTOMER SPECIFIED
 MAXIMUM LGTH. 50 FT.



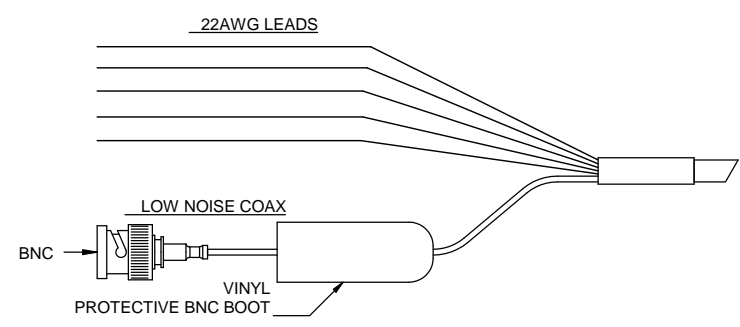
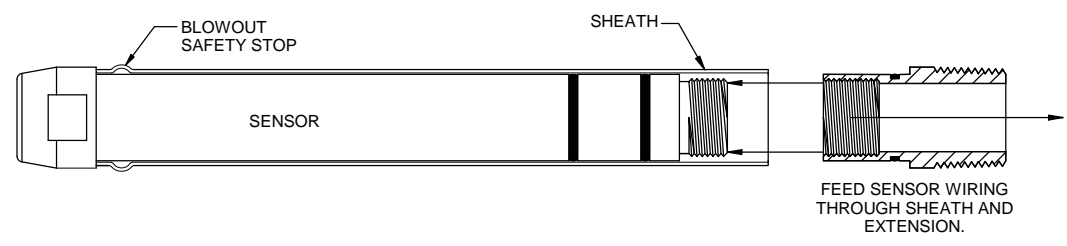
INSERTION / RETRACTION PRESSURE RECOMMENDED 65PSIG
 - ABSOLUTE MAX 100PSIG
 MAXIMUM OPERATING PRESSURE & TEMPERATURE RATINGS
 (SEE CHART 2C0002)
 (FOR HIGH PRESSURE CONFIGURATION SEE DRAWING 2P0044)

KYNAR AND PEEK BODY
 Max 150PSIG (1035kPa) at 158DEG F (70DEG C)
 40PSIG (276kPa) at Max 266DEG F (130DEG C)

CPVC AND POLYPROYLENE BODY
 Max 100PSIG (690kPa) at 167DEG F (75DEG C)
 35PSIG (242kPa) at Max 212DEG F (100deg C)



WIRING TERMINATIONS SHOWN ARE FOR EXAMPLE ONLY
 MANY WIRING CONFIGURATIONS ARE AVAILABLE
 SEE DRAWING P0033

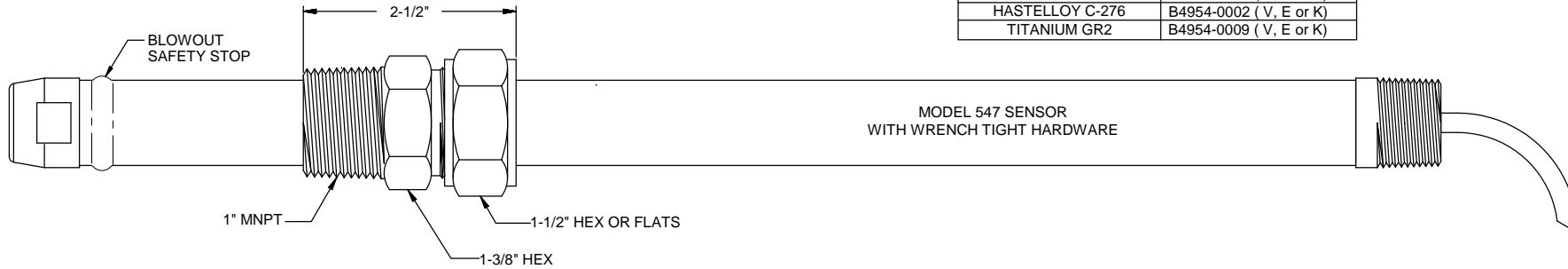


G	10/17/13	REVISE NOTES AND TEXT	WC	HWM
REV	DATE	DESCRIPTION	DWN	APVD
REVISIONS				

MODEL 547 8" pH/ORP SENSOR ASSEMBLY OUTLINE					
DIMENSIONS IN INCHES		PART NO.			
TOLERANCES		SEE DETAILS			
.0 ± .015"		BARBEN AMETEK Analyzer Technology, LLC O'BRIEN 5200 Convair Drive Carson City, NV 89706 PH(775)883-2500 FAX (775)297-4740			
.00 ± .010"					
.000 ± .005"					
FRACTIONAL ALL ± .015"		DRAWN BY	W. COWAN	ECO	DRAWING NO
ANGLES ± 1/4°		APVD BY	HWM	1856	2P0004
UNLESS OTHERWISE SPECIFIED		DATE	06/27/2000	SCALE	1:1
		SIZE		SHEET	3 OF 4

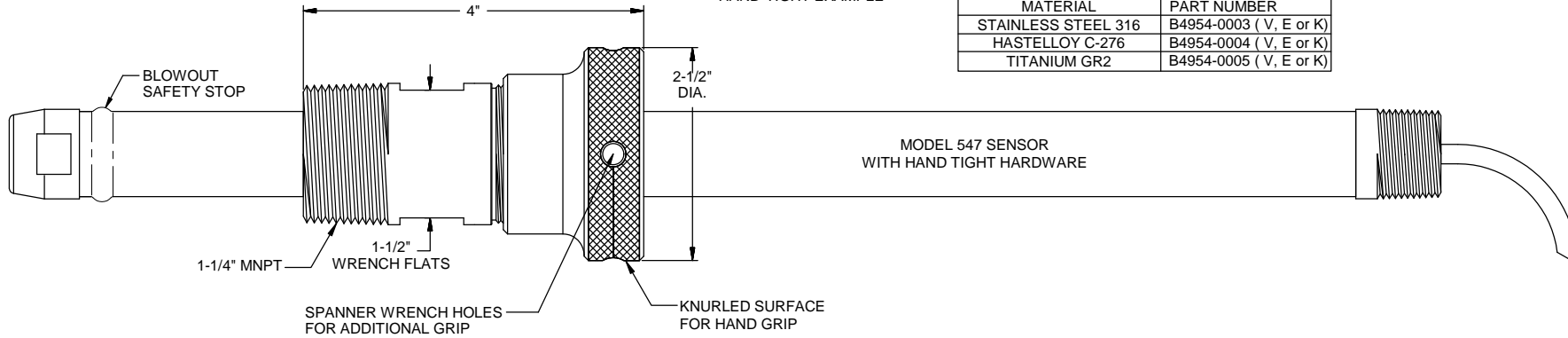
INSERTION / RETRACTION PRESSURE RECOMMENDED 65PSIG - ABSOLUTE MAX 100PSIG

WRENCH-TIGHT EXAMPLE



WRENCH-TIGHT FITTINGS	
MATERIAL	PART NUMBER
STAINLESS STEEL 316	B4954-0001 (V, E or K)
HASTELLOY C-276	B4954-0002 (V, E or K)
TITANIUM GR2	B4954-0009 (V, E or K)

HAND-TIGHT EXAMPLE



HAND-TIGHT FITTINGS	
MATERIAL	PART NUMBER
STAINLESS STEEL 316	B4954-0003 (V, E or K)
HASTELLOY C-276	B4954-0004 (V, E or K)
TITANIUM GR2	B4954-0005 (V, E or K)

G	10/17/13	REVISE NOTES AND TEXT	WC	HWM
REV	DATE	DESCRIPTION	DWN	APVD
REVISIONS				

DIMENSIONS
IN INCHES
TOLERANCES

.0 ± .015"
.00 ± .010"
.000 ± .005"

FRACTIONAL
ALL ± .015"

ANGLES ± 1/4°

UNLESS
OTHERWISE
SPECIFIED

**OPTIONAL FITTINGS
FOR 547 SENSOR ASSEMBLY**

PART NO.			
SEE DETAILS			
Analyzer Technology, LLC O'BRIEN 5200 Convair Drive Carson City, NV 89706 PH(775)883-2500 FAX (775)297-4740			
DRAWN BY	W. COWAN	ECO	DRAWING NO
APVD BY	HWM	1856	2P0004
DATE	06/27/2000	SCALE	1:1
SIZE		SHEET	4 OF 4