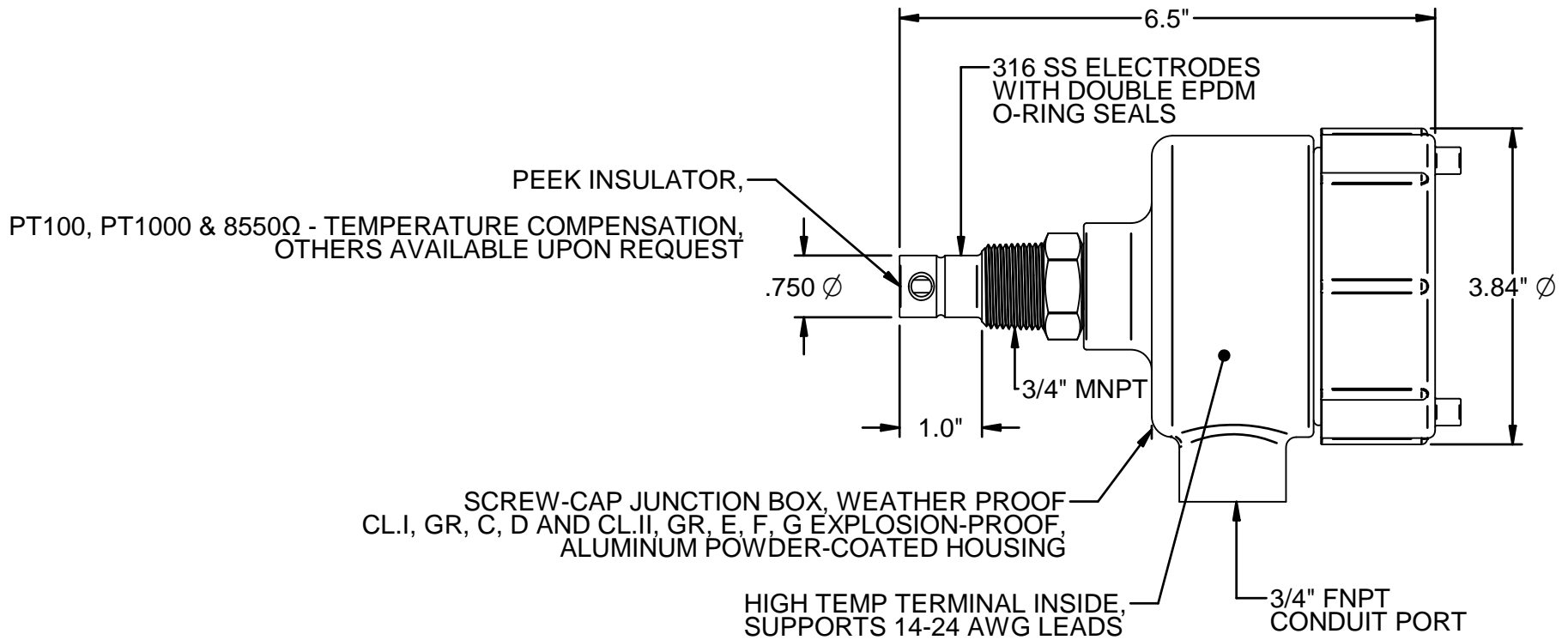


MAX. PRESSURE/TEMP. RATINGS: 250 PSIG @ 205°C, 500 PSIG @ 100°C

AVAILABLE CELL CONSTANTS: 2.0 / 1.0 / 0.1 / 0.05



WIRING SCHEME	
COLOR	DESCRIPTION
BLACK	INNER ELECTRODE
WHITE	OUTER ELECTRODE
RED	TC ELEMENT
GREEN	TC ELEMENT

A	03/19/12	REACTIVATE	WC	HWM
REV	DATE	DESCRIPTION	DWN	APVD
REVISIONS				

DIMENSIONS IN INCHES		MATERIAL/DESCRIPTION		PART NO.	
TOLERANCES		CS41 2 ELECTRODE CONDUCTIVITY SENSOR HIGH PRESSURE / TEMPERATURE			
.0 ± .015"	PART NO.	CS41		FOR CS41 APPLICATIONS	
.00 ± .010"	BARBEN AMETEK Analyzer Technology, LLC O'BRIEN 5200 Convair Drive Carson City, NV 89706 PH(775)883-2500 FAX (775)297-4740				
.000 ± .005"					
FRACTIONAL ALL ± .015"	DRAWN BY: W. COWAN ECO DRAWING NO: 1245 2P0072				
ANGLES ± 1/4°	APVD BY: DATE: 03/19/2012 SCALE: 1:1 SIZE: SHEET: 1 OF 1				
OTHERWISE SPECIFIED					