

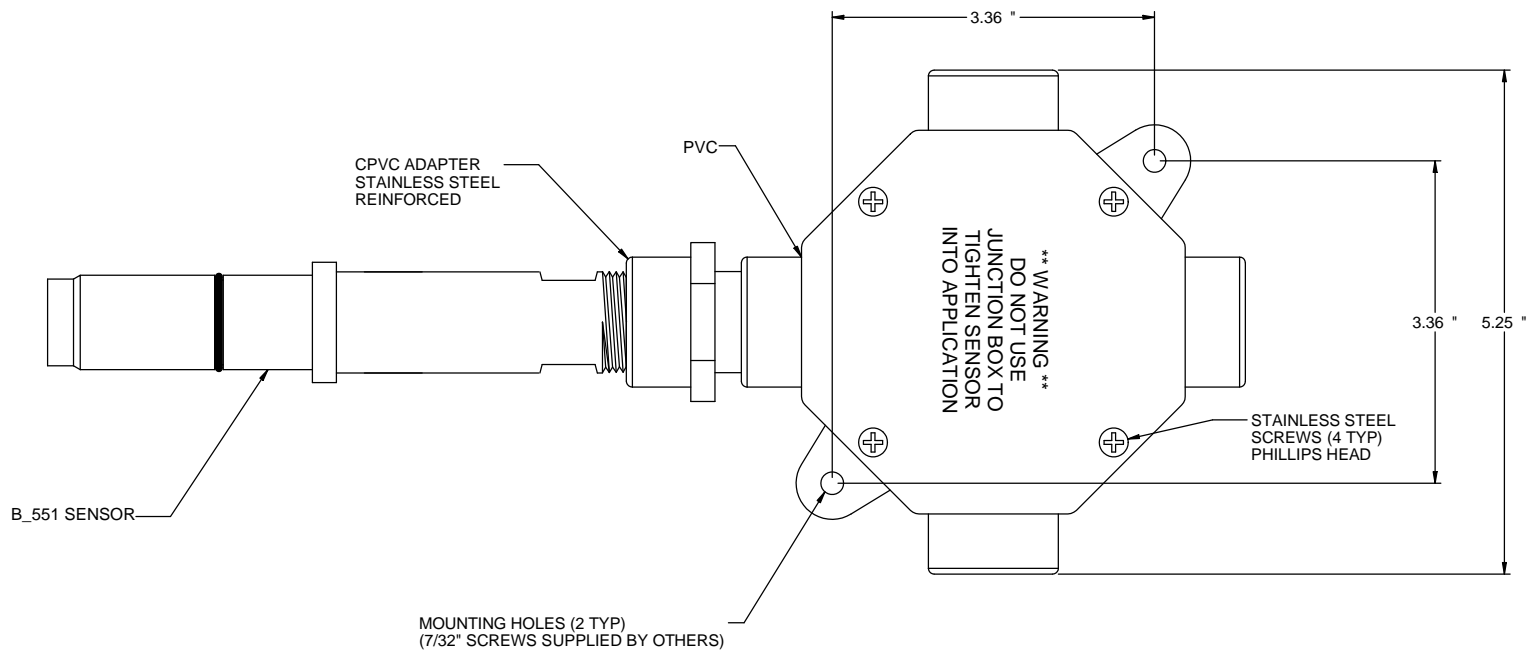
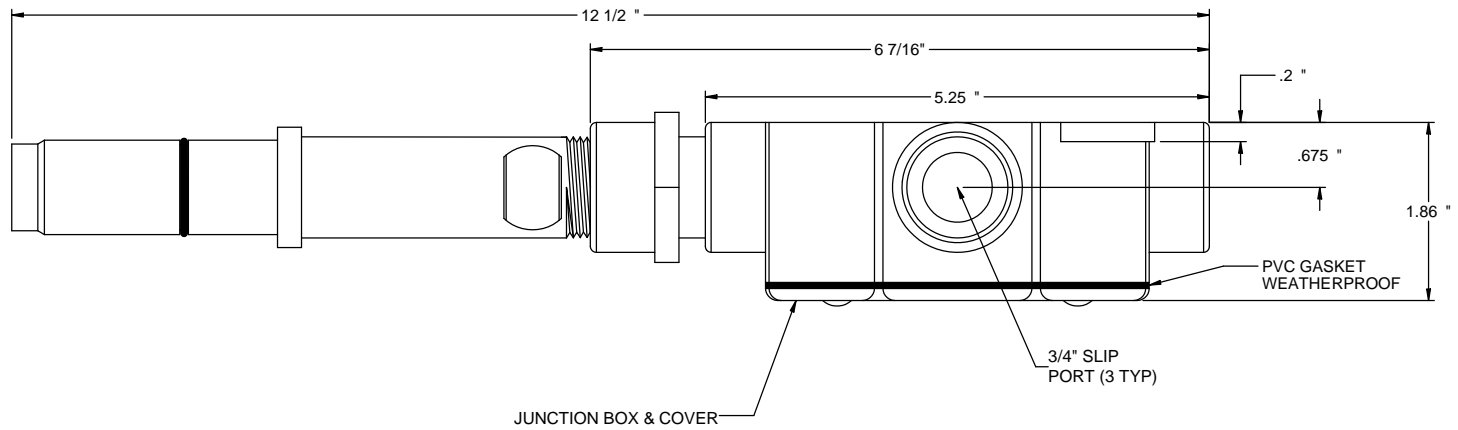


PRESSURE & TEMPERATURE RATINGS
 MAXIMUM 150PSIG (1035kPa) at 158DEG F (70DEG C)
 40PSIG (276kPa) @ MAXIMUM 266DEG F (130DEG C)
 WITH HIGH PRESSURE NUTLOCK FITTING:
 MAXIMUM 300PSIG (2070kPa) AT 176°F (80°C)
 40PSIG (276PA) AT MAXIMUM 266°F (130°C)

C	02/27/12	UPDATE PER HARVEY	WC	HWM
REV	DATE	DESCRIPTION	DWN	APVD
REVISIONS				
MATERIAL/DESCRIPTION			PART NO.	
B_551				
PIPE THREADED 4 ELECTRODE CONDUCTIVITY SENSOR				
PART NO.		FOR		
B_551		4EL CONDUCTIVITY		
 				
5200 Convair Drive Carson City, NV 89706 PH(775)883-2500 FAX (775)297-4740				
DRAWN BY		ECO	DRAWING NO	
W. COWAN		1213	2P0076	
APVD BY		SCALE	SIZE	SHEET
DATE		NONE	C	1 OF 2
08/25/2004				

DIMENSIONS IN INCHES	
TOLERANCES	
.0 ± .015"	
.00 ± .010"	
.000 ± .005"	
FRACTIONAL ALL ± .2"	
ANGLES ± 1/4°	
UNLESS OTHERWISE SPECIFIED	



REV	DATE	DESCRIPTION	WC	HWM
C	02/27/12	UPDATE PER HARVEY		

REVISIONS				

MATERIAL/DESCRIPTION	PART NO.
B_551 CONDUCTIVITY SENSOR WITH JUNCTION BOX (B5026-0001)	

DIMENSIONS IN INCHES
.0 ± .015"
.00 ± .010"
.000 ± .005"
FRACTIONAL ALL ± .2
ANGLES ± 1/4"
UNLESS OTHERWISE SPECIFIED

PART NO. B_551 FOR 4EL CONDUCTIVITY		DRAWING NO. 2P0076	
DRAWN BY W. COWAN		ECO	
APVD BY		1213	
DATE 08/25/2004	SCALE NONE	SIZE C	SHEET 2 OF 2



5200 Convair Drive Carson City, NV 89706 PH(775)883-2500 FAX (775)297-4740