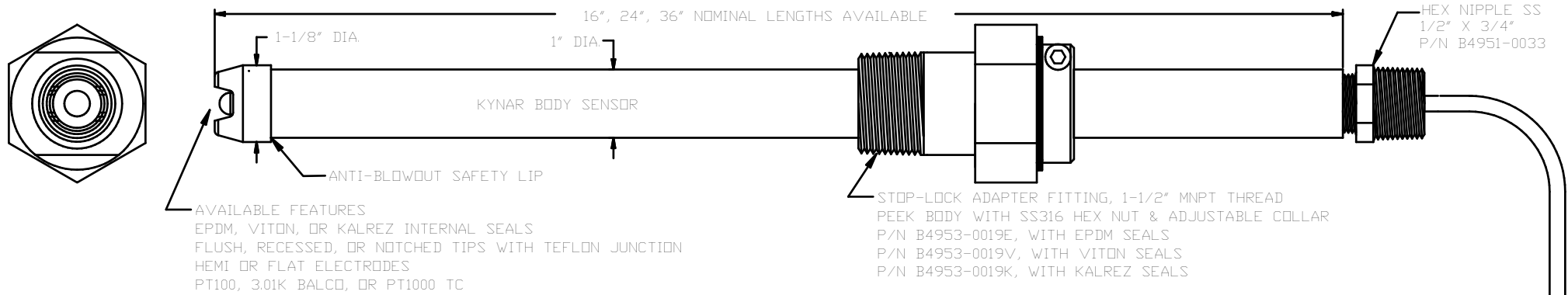
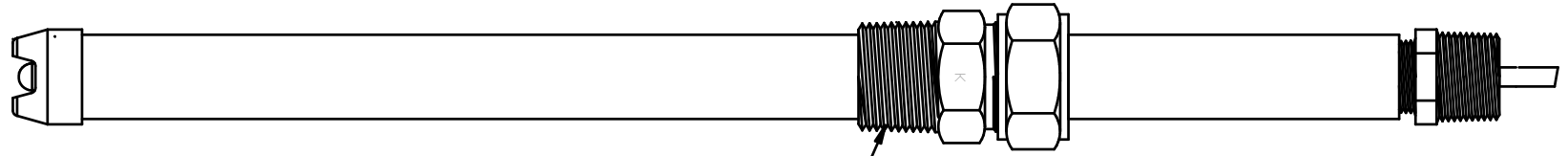


Max 100PSIG (690kPa) at 167DEG F (75° C)  
 35PSIG (242kPa) at Max 212DEG F (100° C)

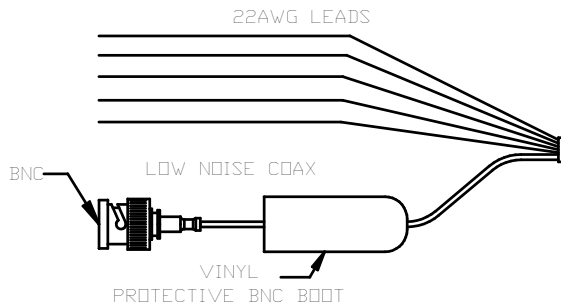


AVAILABLE FEATURES  
 EPDM, VITON, OR KALREZ INTERNAL SEALS  
 FLUSH, RECESSED, OR NOTCHED TIPS WITH TEFLON JUNCTION  
 HEMI OR FLAT ELECTRODES  
 PT100, 3.01K BALCD, OR PT1000 TC

MAXIMUM PRESSURE CAPACITY WITH  
 PLASTIC COMPRESSION FITTINGS  
 40PSIG



WIRING TERMINATIONS SHOWN ARE FOR EXAMPLE ONLY  
 MANY CONFIGURATIONS ARE AVAILABLE



FLEXIBLE TPE JACKETED CABLE  
 MEASURED FROM END OF COMPLETE ASSEMBLY  
 (LENGTH CUSTOMER SPECIFIED)

REVISIONS					DIMENSIONS IN INCHES	
REV	DATE	DESCRIPTION	DWN	APVD	TOLERANCES UNLESS OTHERWISE SPECIFIED	
A	1/24/07	STOP-LOCK HARDWARE, HEX NIP	HWM		DECIMALS	FRACTIONS
B	NONE	INCOMPLETE NO AUTHORIZATION			.0000 +/- .0005	+/- .015
C	01/18/10	Change 1" MNPT to 1-1/2" MNPT	WC	HWM	.000 +/- .005	ANGLES
					.00 +/- .010	+/- 30MIN
					.0 +/- .15	
					DRAWING BY: HWM	
					SCALE	DATE
					NONE	07/11/06
						SIZE
						A

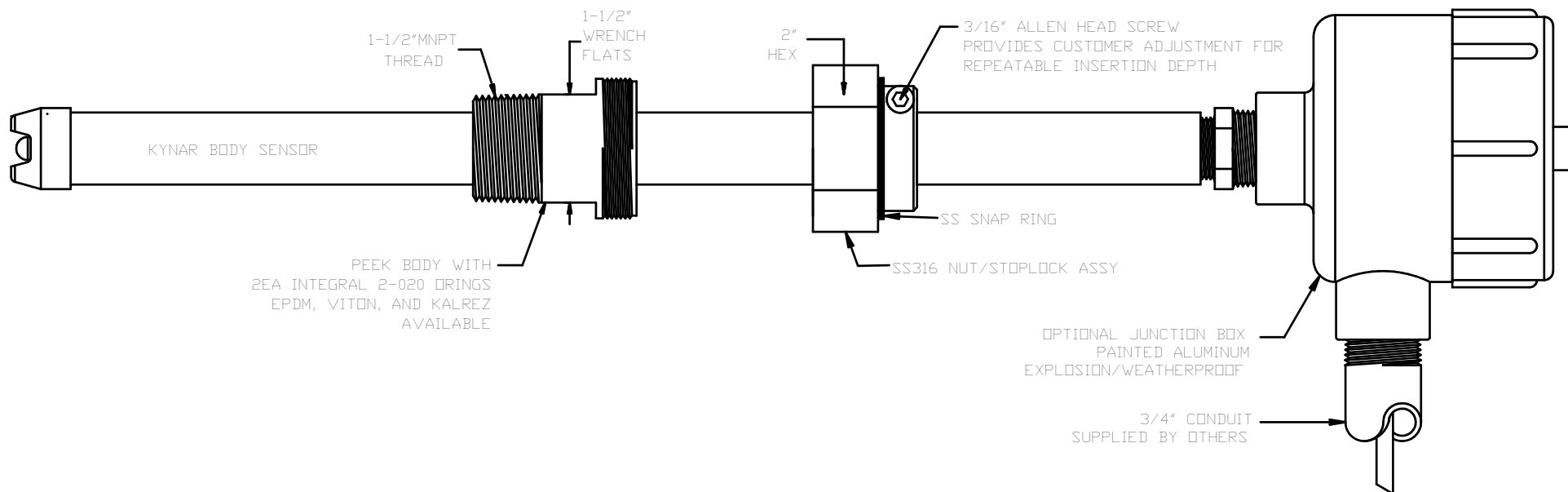
567 SERIES VALVE  
 INSERTION pH/ORP SENSOR  
 WITH RELATED FITTINGS



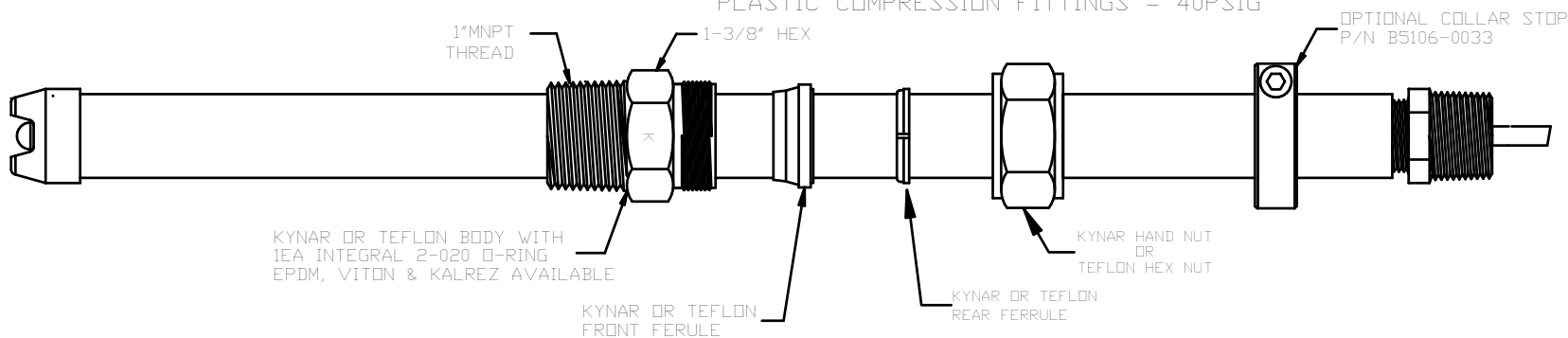
DRAWING NO. 2P0110  
 CHECKED  
 APPROVED

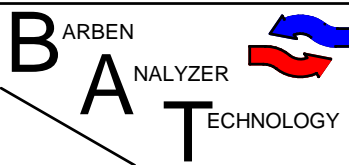
PH(775)882-7900 FAX(775)883-6388

Max 100PSIG (690kPa) at 167DEG F (75° C)  
 35PSIG (242kPa) at Max 212DEG F (100° C)



MAXIMUM PRESSURE CAPACITY WITH  
 PLASTIC COMPRESSION FITTINGS = 40PSIG



REVISIONS					DIMENSIONS IN INCHES		567 SERIES VALVE INSERTION pH/ORP SENSOR WITH RELATED FITTINGS	
REV	DATE	DESCRIPTION	DWN	APVD	TOLERANCES UNLESS OTHERWISE SPECIFIED			DRAWING NO.
					DECIMALS	FRACTIONS		2P0110
A	1/24/07	STOP-LOCK HARDWARE, HEX NIP	HWM		.0000 +/- .0005	+/- .015	CHECKED  APPROVED	
B	NONE	INCOMPLETE NO AUTHORIZATION			.000 +/- .005	ANGLES		
C	01/18/10	Change 1" MNPT to 1-1/2" MNPT	WC	HWM	.00 +/- .010	+/- 30MIN		
					.0 +/- .15			
					DRAWING BY: HWM			
					SCALE	DATE	SIZE	
					NONE	07/11/06	A	PH(775)882-7900 FAX(775)883-6388