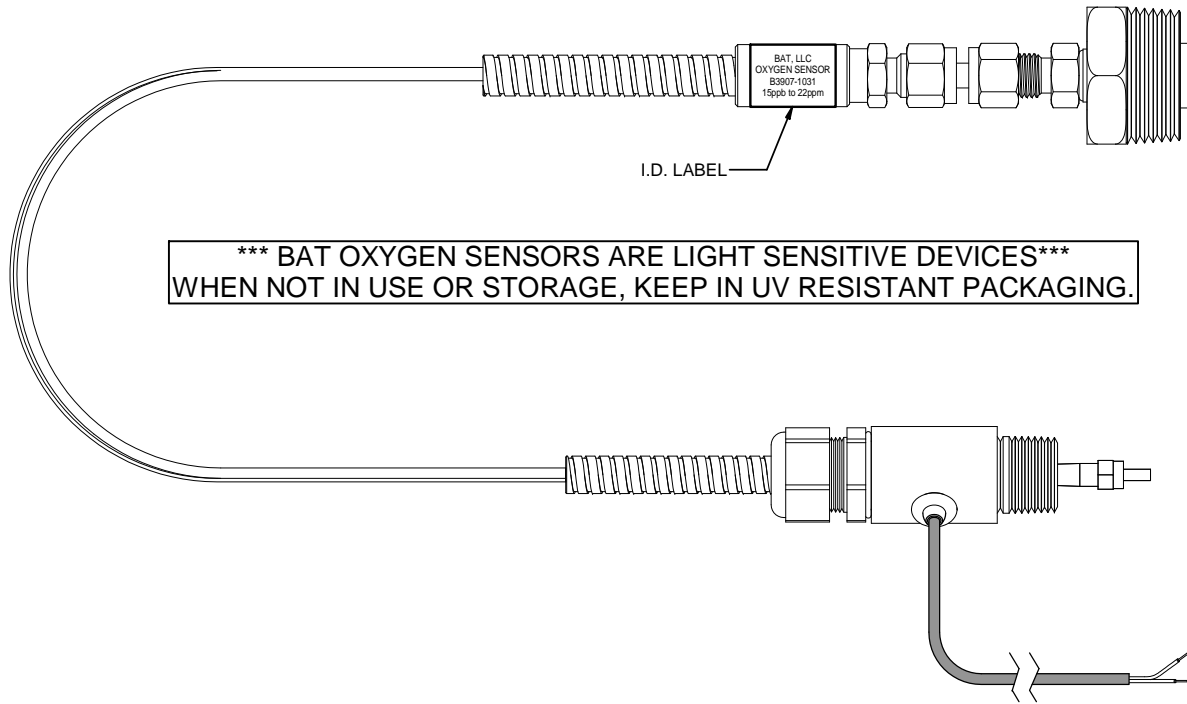
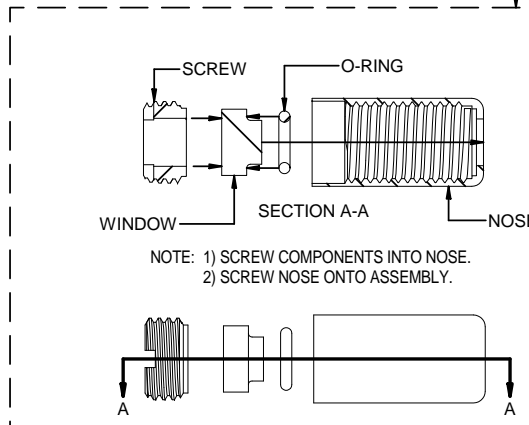
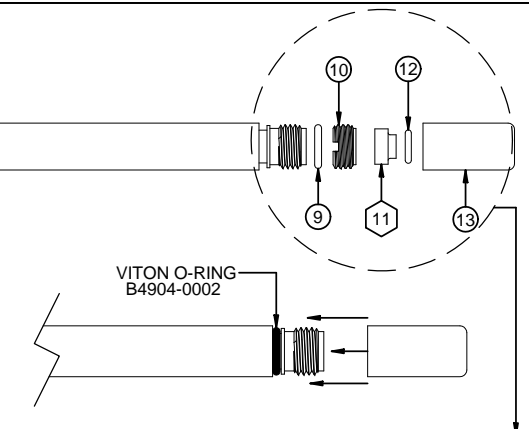


" MAX 1500 PSIG @ MAX 50°C "



*** BAT OXYGEN SENSORS ARE LIGHT SENSITIVE DEVICES***
WHEN NOT IN USE OR STORAGE, KEEP IN UV RESISTANT PACKAGING.



		BOS1	BOS1	BOS1	BOS2	BOS2	BOS2
SENSOR ASSY. OXYGEN, ARMORED		B3907-1029	B3907-1028	B3907-1030	B3907-1031	B3907-1025	B3907-1032
ARMORED SENSOR LENGTH ASS'D.		2.5 METER	5 METER	10 METER	2.5 METER	5 METER	10 METER
ITEM #	QTY.	COMPONENT DESCRIPTION	PART #	PART#	PART#	PART#	PART#
9	1	O-RING VITON 2-011 .301 I.D. .070 SEC.	B4904-0002	B4904-0002	B4904-0002	B4904-0002	B4904-0002
10	1	SCREW, WINDOW CAPTURE 12mm	B5105-0072	B5105-0072	B5105-0072	B5105-0072	B5105-0072
(11)	1	WINDOW, OPTICAL EXCHANGE	B5103-0010	B5103-0010	B5103-0010	B5103-0011	B5103-0011
12	1	O-RING 1.5mm X 5.5mm I.D VITON 75D	B4904-0067	B4904-0067	B4904-0067	B4904-0067	B4904-0067
13	1	NOSE, 12mm OPTICAL SENSOR	B5104-0669	B5104-0669	B5104-0669	B5104-0669	B5104-0669

" FIELD REPLACABLE PARTS "

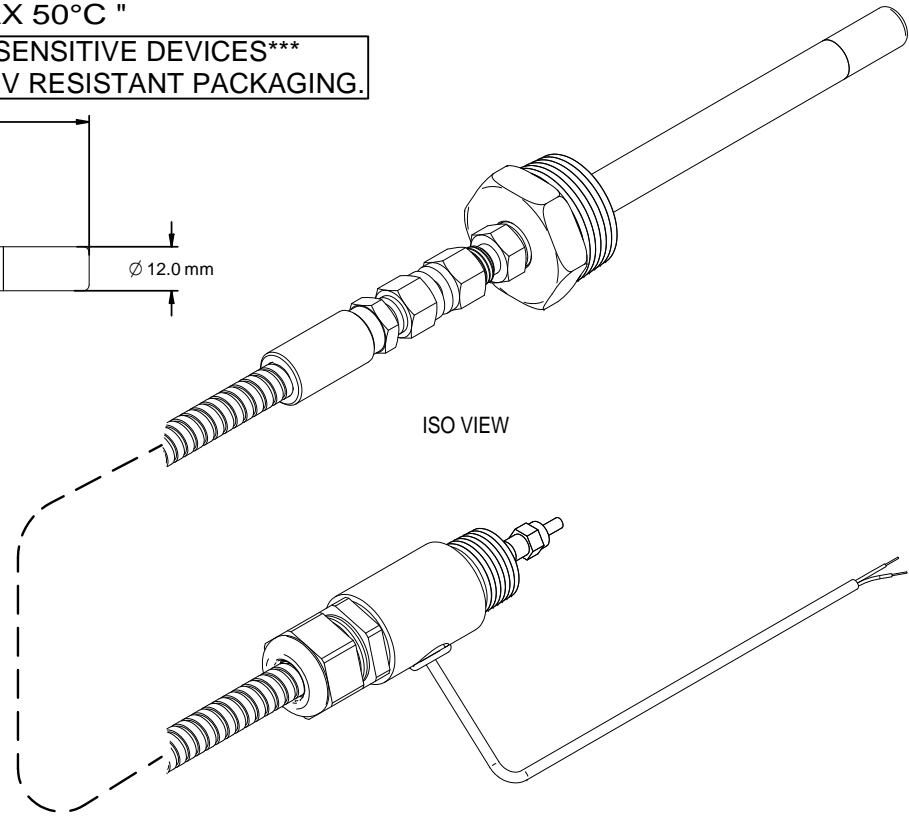
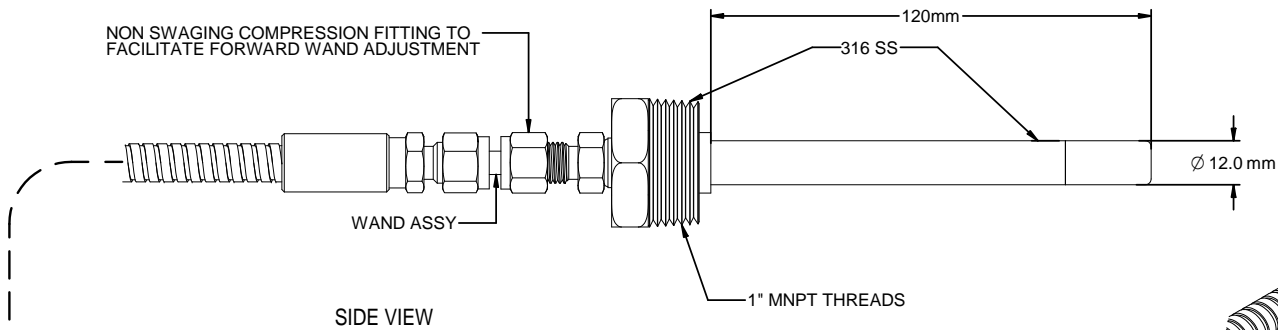
** LIMITS OF DETECTION **
BOS1 = SS VITON ASSEMBLIES - 1ppb TO 100ppb
BOS2 = SS VITON ASSEMBLIES - 15ppb TO 22ppm

C	08/02/12	UPDATE TABLE	WC	HWM
REV	DATE	DESCRIPTION	DWN	APVD
REVISIONS				
SEE TABLE			SEE TABLE	
MATERIAL/DESCRIPTION			PART NO.	

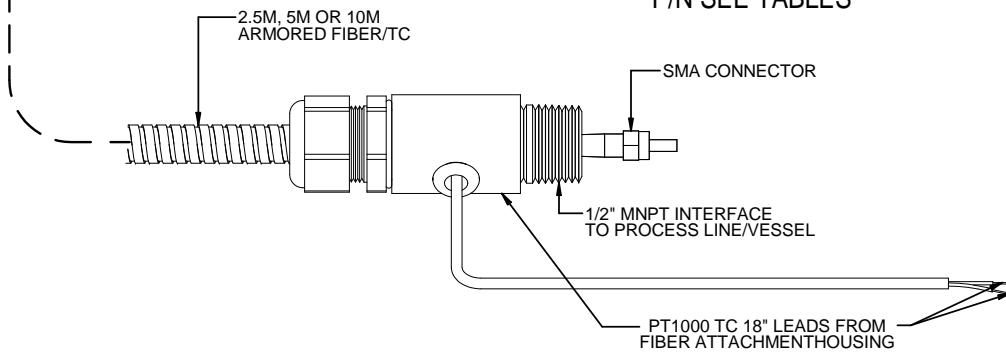
DIMENSIONS IN INCHES	SENSOR ASSY OXYGEN 12mm X 120mm 1" NPT MOUNTING			
	PART NO. FOR BOS1 & BOS2 O2 SENSORS			
TOLERANCES	.0 ± .015"	.00 ± .010"	.000 ± .005"	
FRACTIONAL ALL ± .015"	BARBEN AMETEK Analyzer Technology, LLC O'BRIEN 5200 Convaire Drive Carson City, NV 89706 PH(775)883-2500 FAX (775)297-4740			
ANGLES ± 1/4°	DRAWN BY	W. COWAN	ECO	DRAWING NO
UNLESS OTHERWISE SPECIFIED	APVD BY	HWM	1380	2P0223
	DATE	04/01/2011	SCALE	1:1
			SIZE	SHEET 1 OF 4

" MAX 1500 PSIG @ MAX 50°C "

*** BAT OXYGEN SENSORS ARE LIGHT SENSITIVE DEVICES***
 WHEN NOT IN USE OR STORAGE, KEEP IN UV RESISTANT PACKAGING.



SENSOR ASSY OXYGEN ARMORED
 P/N SEE TABLES



**** LIMITS OF DETECTION ****

BOS1 = SS VITON ASSEMBLIES - 1ppb TO 100ppb

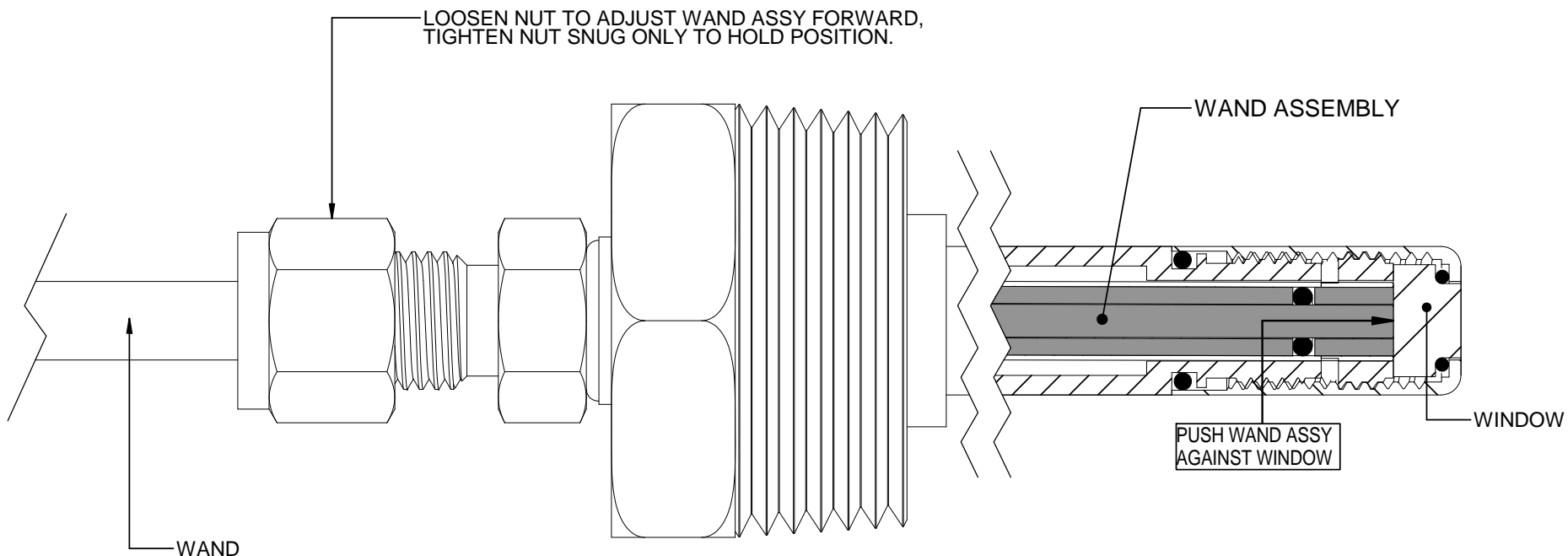
BOS2 = SS VITON ASSEMBLIES - 15ppb TO 22ppm

C	08/02/12	UPDATE TABLE	WC	HWM
REV	DATE	DESCRIPTION	DWN	APVD
REVISIONS				
SEE TABLE		SEE TABLE		
MATERIAL/DESCRIPTION		PART NO.		

DIMENSIONS IN INCHES	SENSOR ASSY OXYGEN 12mm X 120mm 1" NPT MOUNTING			
TOLERANCES	PART NO. FOR BOS1 & BOS2 O2 SENSORS			
	.0 ± .015"	SEE TABLE		
	.00 ± .010"			
	.000 ± .005"			
FRACTIONAL ALL ± .015"				
ANGLES ± 1/4°	Analyzer Technology, LLC O'BRIEN 5200 Convoir Drive Carson City, NV 89706 PH(775)883-2500 FAX (775)297-4740			
UNLESS OTHERWISE SPECIFIED	DRAWN BY	W. COWAN	ECO	DRAWING NO
	APVD BY	HWM	1380	2P0223
	DATE	SCALE	SIZE	SHEET
	04/01/2011	1 : 1		2 OF 4

" MAX 1500 PSIG @ MAX 50°C "

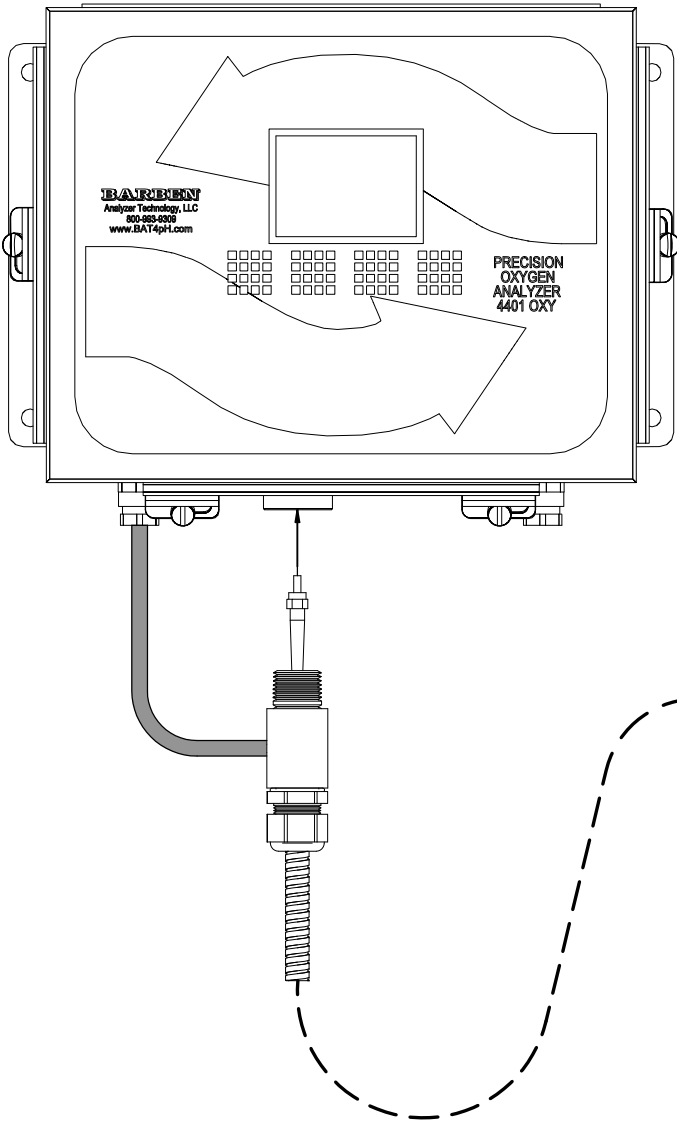
*** BAT OXYGEN SENSORS ARE LIGHT SENSITIVE DEVICES***
 WHEN NOT IN USE OR STORAGE, KEEP IN UV RESISTANT PACKAGING.



C	08/02/12	UPDATE TABLE	WC	HWM
REV	DATE	DESCRIPTION	DWN	APVD
REVISIONS				
SEE TABLE		SEE TABLE		
MATERIAL/DESCRIPTION		PART NO.		

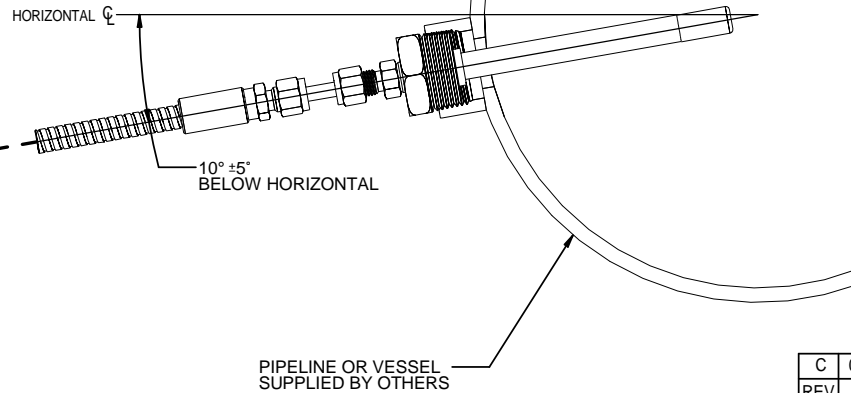
WAND ADJUSTMENT DETAIL

DIMENSIONS IN INCHES	PART NO. FOR			
	SEE TABLE BOS1 & BOS2 O2 SENSORS			
TOLERANCES				
FRACTIONAL ALL ± .015"	5200 Convoir Drive Carson City, NV 89706 PH(775)883-2500 FAX (775)297-4740			
ANGLES ± 1/4°	DRAWN BY	W. COWAN	ECO	DRAWING NO
UNLESS OTHERWISE SPECIFIED	APVD BY	HWM	1380	2P0223
	DATE	SCALE	SIZE	SHEET
	04/01/2011	1 : 1		3 OF 4




" MAX 1500 PSIG @ MAX 50°C "

*** BAT OXYGEN SENSORS ARE LIGHT SENSITIVE DEVICES***
 WHEN NOT IN USE OR STORAGE, KEEP IN UV RESISTANT PACKAGING.



C	08/02/12	UPDATE TABLE	WC	HWM
REV	DATE	DESCRIPTION	DWN	APVD
REVISIONS				
SEE TABLE		SEE TABLE		
MATERIAL/DESCRIPTION		PART NO.		

DIMENSIONS IN INCHES	PREFERRED SENSOR MOUNTING			
	PART NO. SEE TABLE		FOR BOS1 & BOS2 O2 SENSORS	
TOLERANCES	 BARBEN AMETEK Analyzer Technology, LLC O'BRIEN <small>5200 Convoir Drive Carson City, NV 89706 PH(775)883-2500 FAX (775)297-4740</small>			
FRACTIONAL ALL ± .015"	DRAWN BY	W. COWAN	ECO	DRAWING NO
ANGLES ± 1/4°	APVD BY	HWM	1380	2P0223
UNLESS OTHERWISE SPECIFIED	DATE	SCALE	SIZE	SHEET
	04/01/2011	1 : 1		4 OF 4