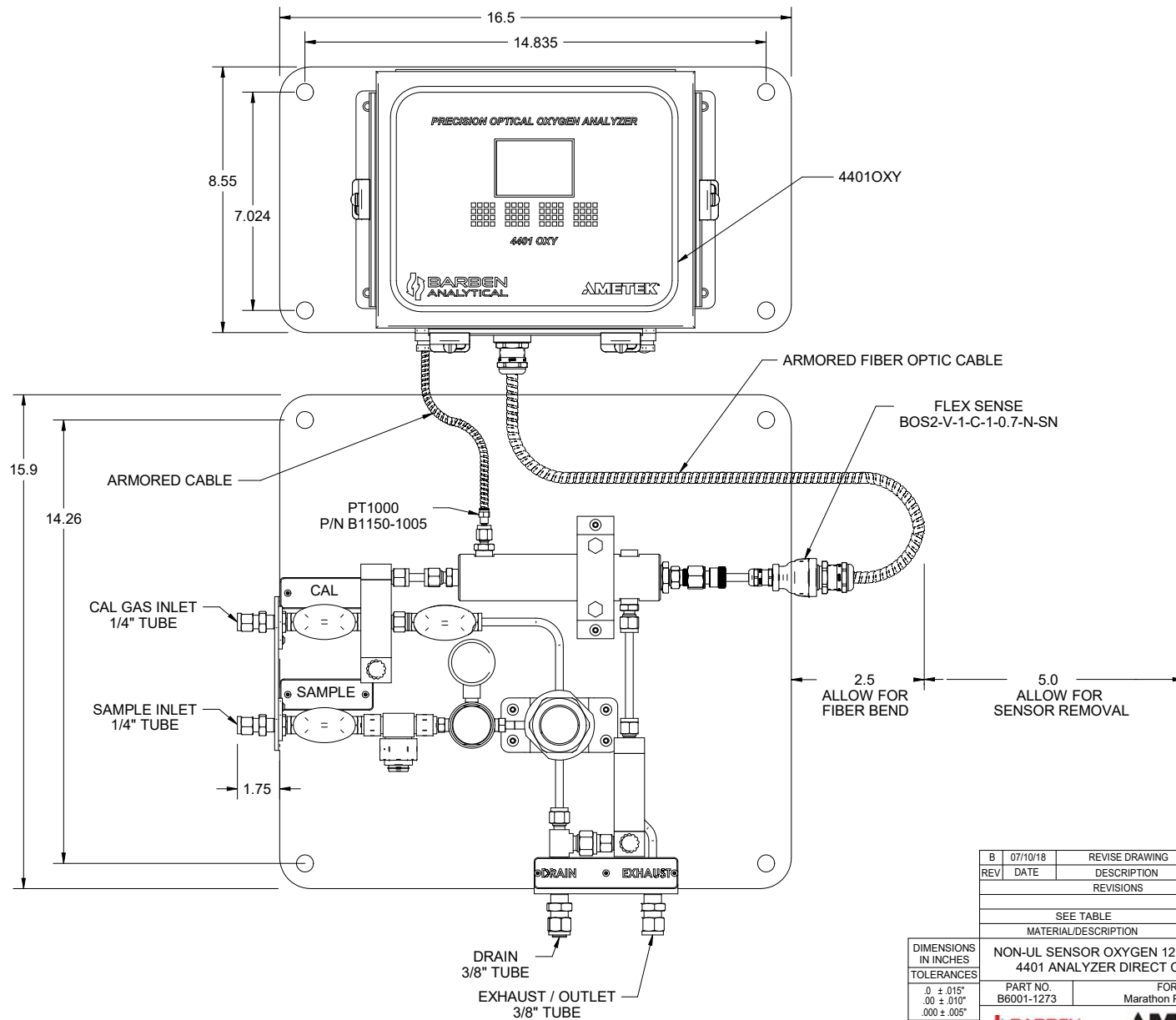


LEFT SIDE VIEW



FRONT VIEW

B	07/10/18	REVISE DRAWING	MW	DR
REV	DATE	DESCRIPTION	DWN	APVD
REVISIONS				

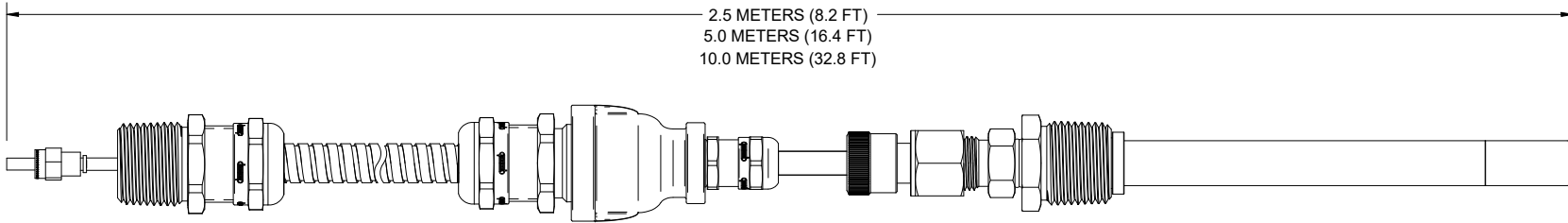
SEE TABLE	SEE TABLE
MATERIAL/DESCRIPTION	PART NO.

DIMENSIONS IN INCHES	NON-UL SENSOR OXYGEN 12mm X 120mm			
	4401 ANALYZER DIRECT CONNECT			
TOLERANCES	0 ± .015"	.00 ± .010"	.000 ± .005"	FOR Marathon Petroleum
FRACTIONAL ALL ± .015"				
ANGLES ± 14°	5200 Convair Drive Carson City, NV 89706 PH(775)883-2500 FAX (775)297-4740			
UNLESS OTHERWISE SPECIFIED	DRAWN BY	M. WALSER	ECO#	DRAWING NO
	APVD BY	D. RUSSELL	3098	2P0319
	DATE	SCALE	SIZE	SHEET
	12/22/2015	NTS	B	1 OF 5

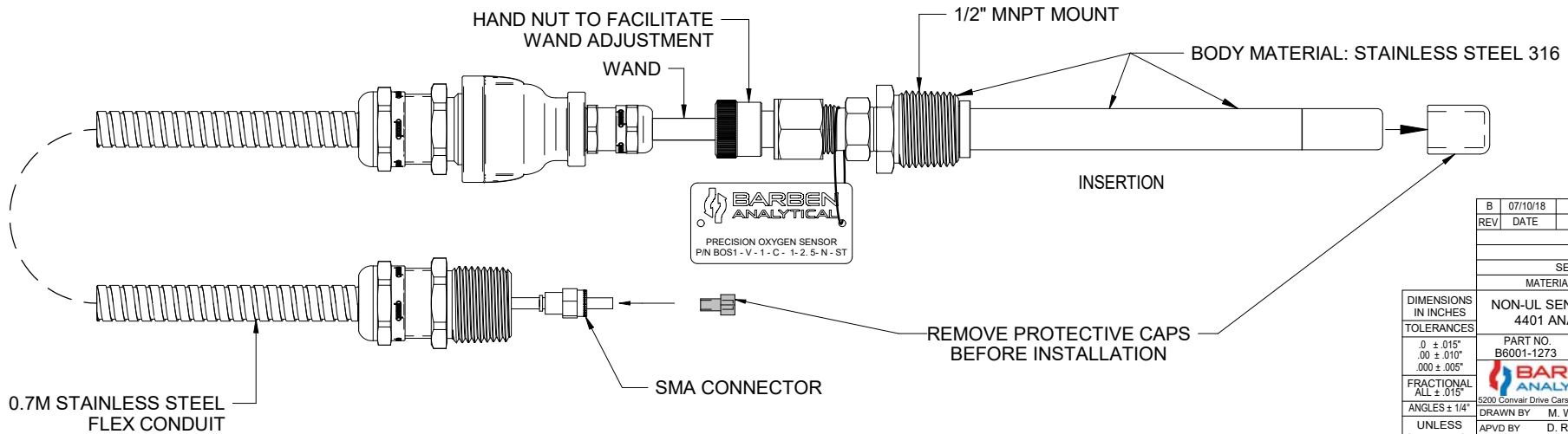
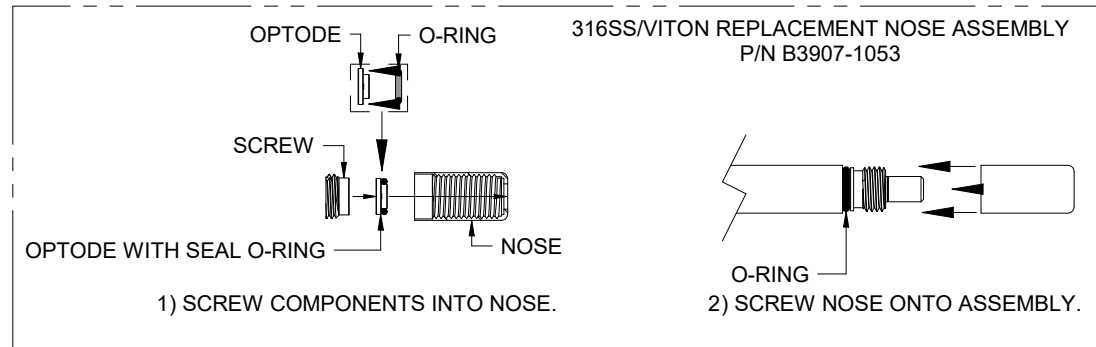
\*\*\* BAT OXYGEN SENSORS ARE LIGHT SENSITIVE DEVICES\*\*\*  
 WHEN NOT IN USE OR STORAGE, KEEP IN UV RESISTANT PACKAGING.

AVAILABLE CABLE LENGTHS

- 2.5 METERS (8.2 FT)
- 5.0 METERS (16.4 FT)
- 10.0 METERS (32.8 FT)



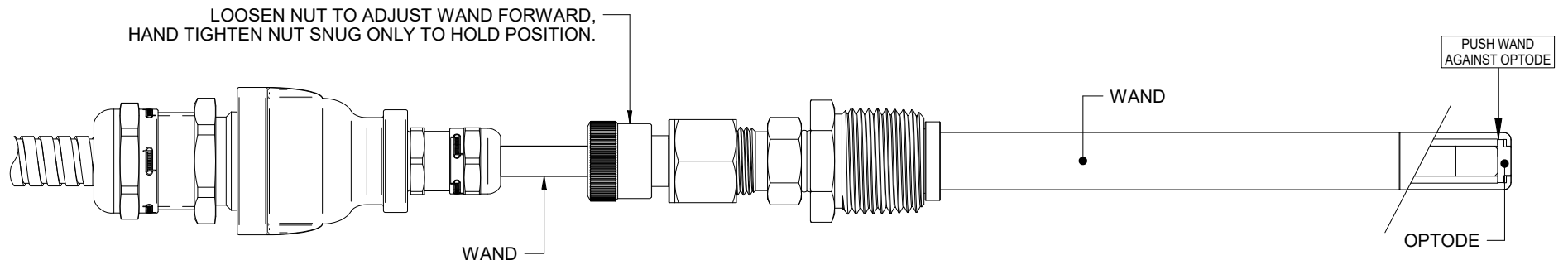
SENSOR TYPE	OXYGEN RANGES	LOD	MAX PRES. (psig)	MAX TEMP. (°C)
BOS2	0-22 ppm O <sub>2</sub> (l)	15 ppb (l)	1200	50
	0-25% O <sub>2</sub> (g)	0.03% O <sub>2</sub>		
BOS1	0-1.8 ppm O <sub>2</sub> (l)	1 ppb (l)	1200	50
	0-5% O <sub>2</sub> (g)	20 ppm O <sub>2</sub>		
BOS3	0-300 ppm O <sub>2</sub> (g)	0.5 ppm O <sub>2</sub>	800	50



B	07/10/18	REVISE DRAWING	MW	DR
REV	DATE	DESCRIPTION	DWN	APVD
REVISIONS				
SEE TABLE		SEE TABLE		
MATERIAL/DESCRIPTION		PART NO.		
NON-UL SENSOR OXYGEN 12mm X 120mm				
4401 ANALYZER DIRECT CONNECT				
PART NO. B6001-1273		FOR Marathon Petroleum		
<b>BARBEN ANALYTICAL AMETEK</b>				
5200 Convair Drive Carson City, NV 89706 PH(775)883-2500 FAX (775)297-4740				
DRAWN BY M. WALSER		ECO# 3098		DRAWING NO 2P0319
APVD BY D. RUSSELL		DATE 12/22/2015		SHEET 2 OF 5
DIMENSIONS IN INCHES		SCALE NTS		
TOLERANCES		SIZE B		
0 ± .015"		OTHERWISE SPECIFIED		
.00 ± .010"				
.000 ± .005"				
FRACTIONAL ALL ± .015"				
ANGLES ± 14°				



\*\*\* BAT OXYGEN SENSORS ARE LIGHT SENSITIVE DEVICES\*\*\*  
 WHEN NOT IN USE OR STORAGE, KEEP IN UV RESISTANT PACKAGING.

WAND ADJUSTMENT DETAIL

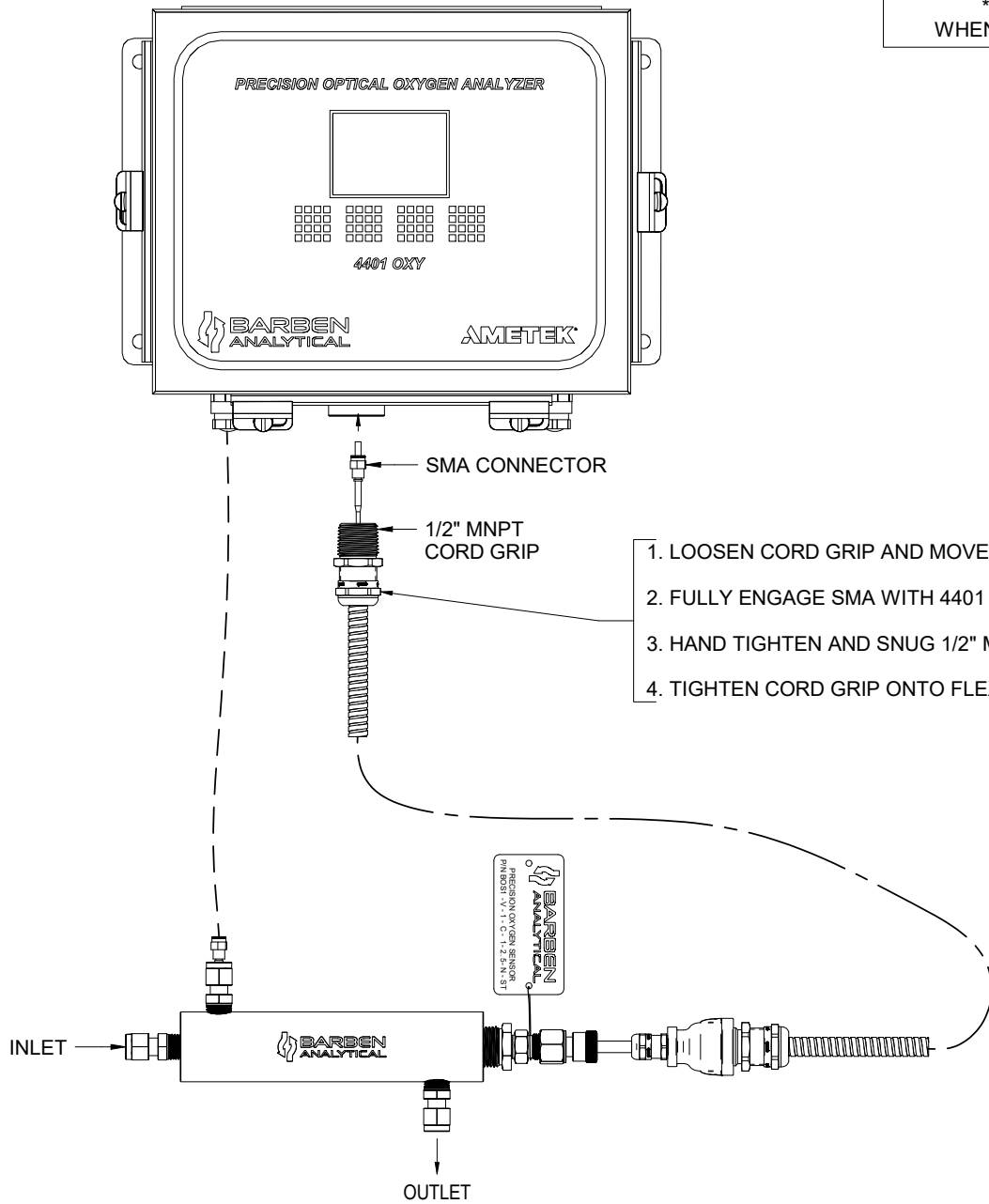


B	07/10/18	REVISE DRAWING	MW	DR
REV	DATE	DESCRIPTION	DWN	APVD
REVISIONS				

SEE TABLE	SEE TABLE
MATERIAL/DESCRIPTION	PART NO.

DIMENSIONS IN INCHES	NON-UL SENSOR OXYGEN 12mm X 120mm			
	4401 ANALYZER DIRECT CONNECT			
TOLERANCES	0 ± .015"	PART NO.	FOR	
	.00 ± .010"	B6001-1273	Marathon Petroleum	
.000 ± .005"				
FRACTIONAL ALL ± .015"	 			
ANGLES ± 1/4"	5200 Convair Drive Carson City, NV 89706 PH(775)883-2500 FAX (775)297-4740			
UNLESS OTHERWISE SPECIFIED	DRAWN BY	M. WALSER	ECO#	DRAWING NO
	APVD BY	D. RUSSELL	3098	2P0319
	DATE	SCALE	SIZE	SHEET
	12/22/2015	NTS	B	3 OF 5

\*\*\* BAT OXYGEN SENSORS ARE LIGHT SENSITIVE DEVICES\*\*\*  
 WHEN NOT IN USE OR STORAGE, KEEP IN UV RESISTANT PACKAGING.

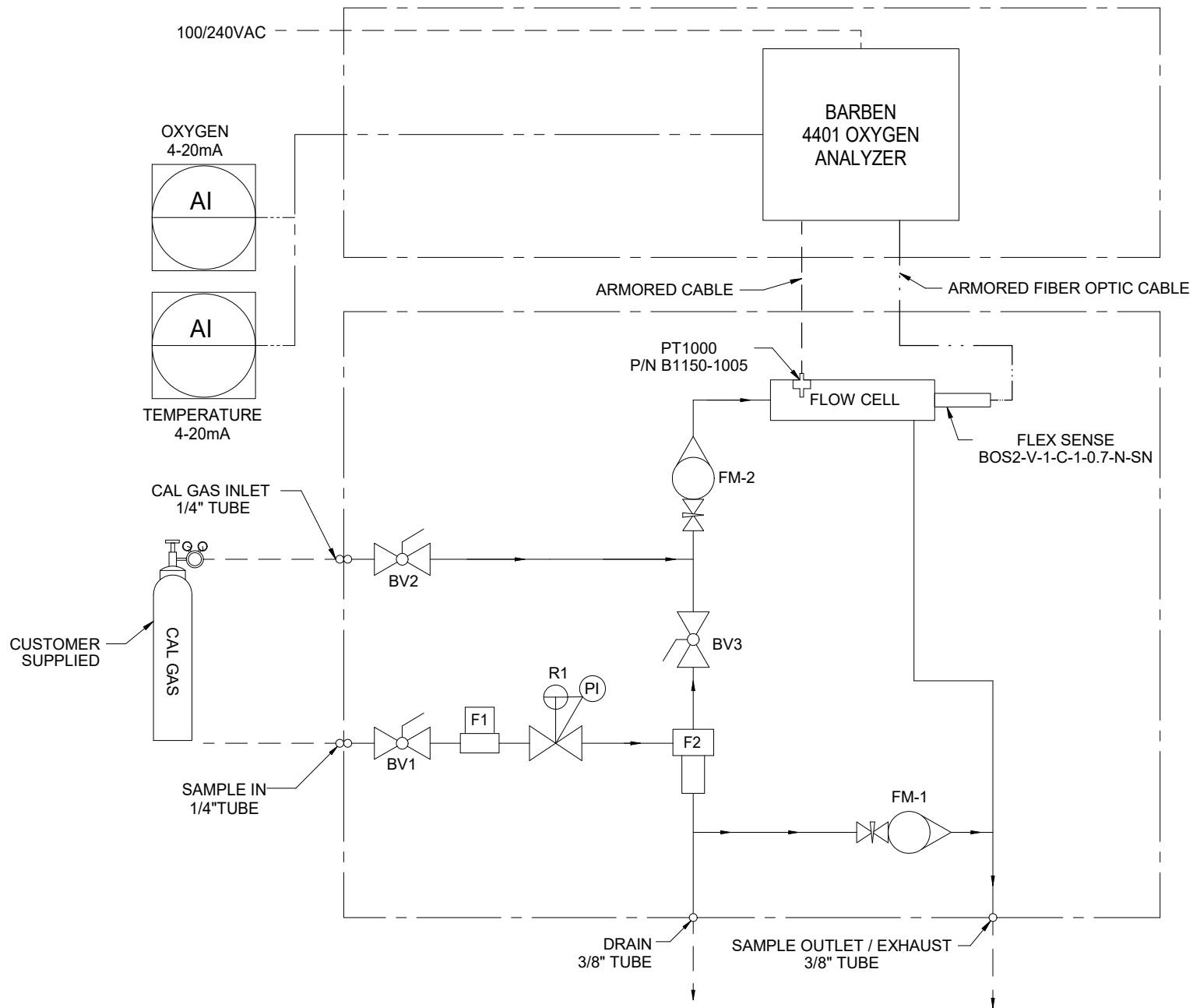


1. LOOSEN CORD GRIP AND MOVE DOWN OVER FLEX CONDUIT.
2. FULLY ENGAGE SMA WITH 4401 ANALYZER.
3. HAND TIGHTEN AND SNUG 1/2" MNPT CONNECTOR TO 4401 ANALYZER.
4. TIGHTEN CORD GRIP ONTO FLEX CONDUIT TO SEAL.

B	07/10/18	REVISE DRAWING	MW	DR
REV	DATE	DESCRIPTION	DWN	APVD
REVISIONS				

SEE TABLE	SEE TABLE
MATERIAL/DESCRIPTION	PART NO.

DIMENSIONS IN INCHES	NON-UL SENSOR OXYGEN 12mm X 120mm			
	4401 ANALYZER DIRECT CONNECT			
TOLERANCES	PART NO. B6001-1273	FOR Marathon Petroleum		PART NO.
FRACTIONAL ALL ± .015"				
ANGLES ± 14°	5200 Convair Drive Carson City, NV 89706 PH(775)883-2500 FAX (775)297-4740			
UNLESS OTHERWISE SPECIFIED	DRAWN BY M. WALSER	ECO# 3098	DATE 12/22/2015	DRAWING NO 2P0319
	APVD BY D. RUSSELL	SCALE NTS	SIZE B	SHEET 4 OF 5



PLUMB IN FIELD

WIRE IN FIELD

B	07/10/18	REVISE DRAWING	MW	DR
REV	DATE	DESCRIPTION	DWN	APVD
REVISIONS				
SEE TABLE		SEE TABLE		
MATERIAL/DESCRIPTION		PART NO.		
NON-UL SENSOR OXYGEN 12mm X 120mm				
4401 ANALYZER DIRECT CONNECT				
PART NO. B6001-1273		FOR Marathon Petroleum		
DIMENSIONS IN INCHES		FRACTIONAL ALL ± .015"		
TOLERANCES				
5200 Convair Drive Carson City, NV 89706 PH(775)883-2500 FAX (775)297-4740				
DRAWN BY M. WALSER		ECO# 3098		DRAWING NO 2P0319
APVD BY D. RUSSELL		SCALE NTS		SHEET 5 OF 5
DATE 12/22/2015		SIZE B		