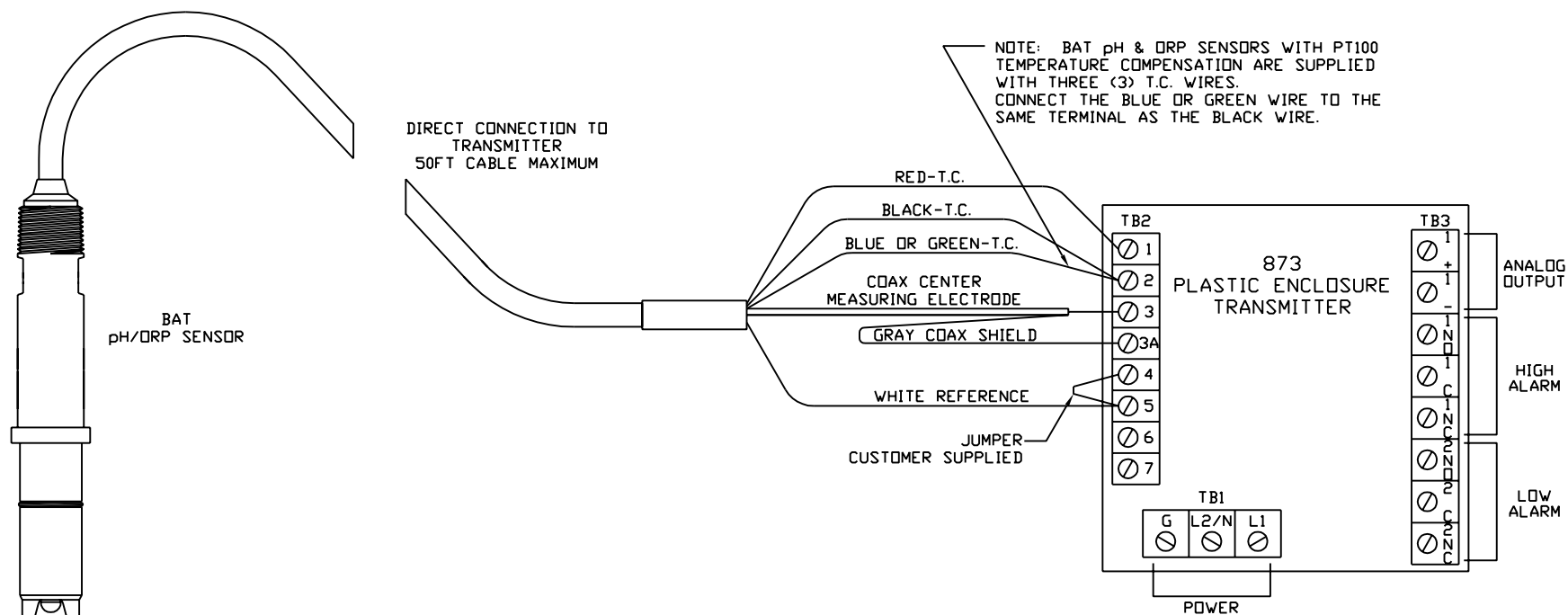


FOR BAT 561, 556 AND 557 pH/ORP SENSORS WITHOUT SOLUTION GROUND
WIRED TO
873 PLASTIC ENCLOSURE TRANSMITTERS

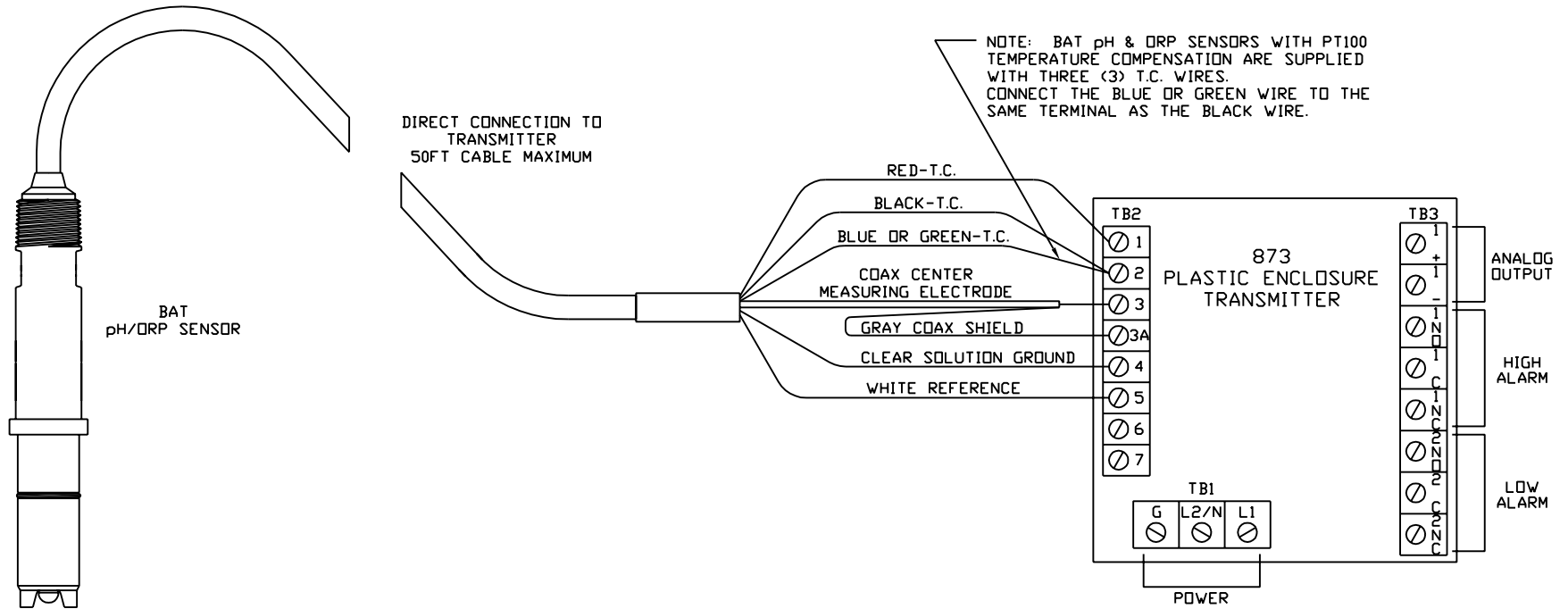


REVISIONS					DIMENSIONS IN INCHES		WIRING OF BAT 561, 556 AND 557 pH/ORP SENSORS TO PLASTIC 873 TRANSMITTER	
REV	DATE	DESCRIPTION	DWN	APVD	TOLERANCES UNLESS OTHERWISE SPECIFIED			
A	1-4-02	COAX SHIELD ADDED	HWM		DECIMALS	FRACTIONS		DRAWING NO. 2P0030
					.0000 +/- .0005	+/- .015		CHECKED
					.000 +/- .005	ANGLES		APPROVED
					.00 +/- .010	+/- 30MIN		
					.0 +/- .15			
					DRAWING BY. HWM			
					SCALE	DATE	SIZE	
					NONE	11/7/01	A	PH(775)882-7900 FAX(775)883-6388



DRAWING NO. 2P0030
CHECKED
APPROVED

FOR BAT 561, 556 AND 557 pH/ORP SENSORS WITH SOLUTION GROUND
WIRED TO
873 PLASTIC ENCLOSURE TRANSMITTERS

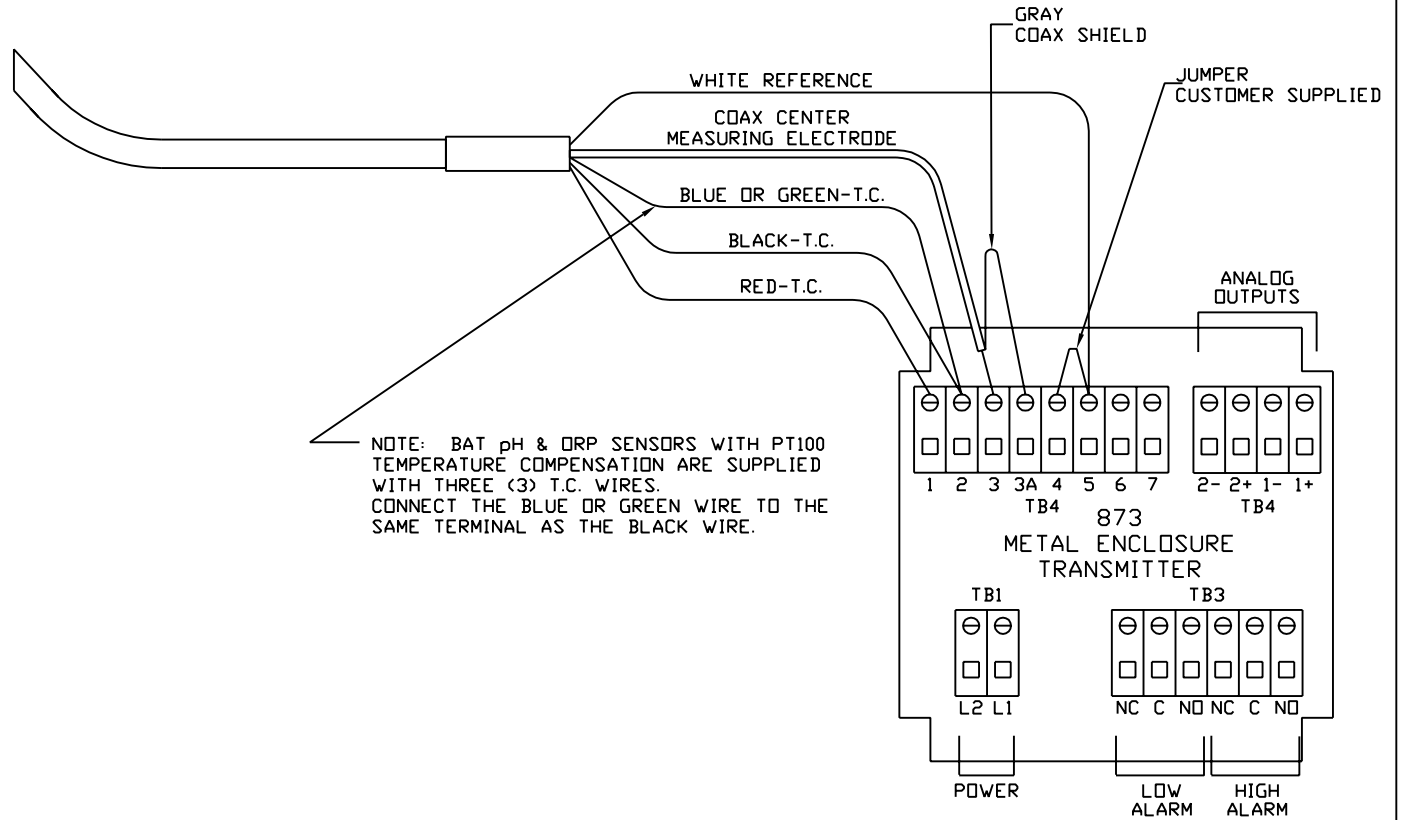
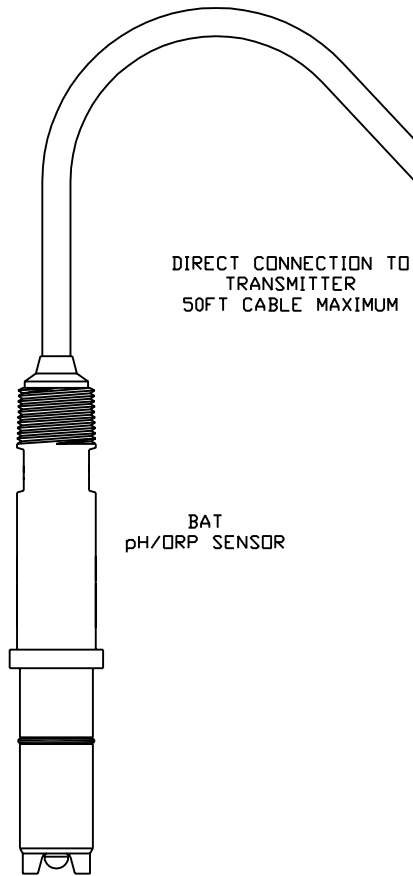


REVISIONS					DIMENSIONS IN INCHES		WIRING OF BAT 561, 556 AND 557 pH/ORP SENSORS TO PLASTIC 873 TRANSMITTER	
REV	DATE	DESCRIPTION	DWN	APVD	TOLERANCES UNLESS OTHERWISE SPECIFIED			
A	1-4-02	COAX SHIELD ADDED	HWM		DECIMALS	FRACTIONS		DRAWING NO. 2P0030
					.0000 +/- .0005	+/- .015		CHECKED
					.000 +/- .005	ANGLES		APPROVED
					.00 +/- .010	+/- 30MIN		
					.0 +/- .15			
					DRAWING BY. HWM			
					SCALE	DATE	SIZE	
					NONE	11/7/01	A	
								PH(775)882-7900 FAX(775)883-6388
								2 OF 8



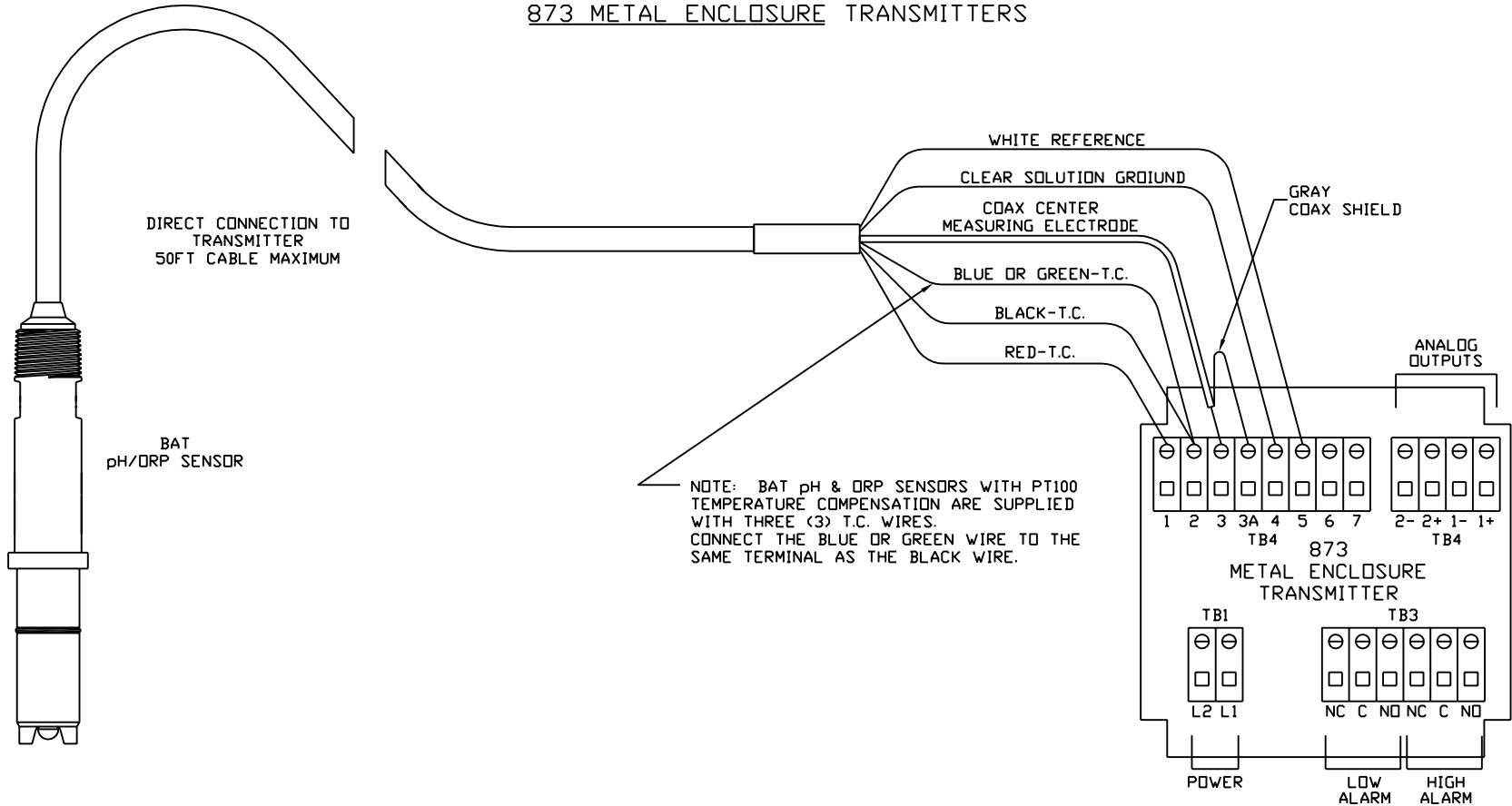
DRAWING NO. 2P0030
 CHECKED
 APPROVED

FOR BAT 561, 556 AND 557 pH/ORP SENSORS WITHOUT SOLUTION GROUND
 WIRED TO
873 METAL ENCLOSURE TRANSMITTERS



REVISIONS					DIMENSIONS IN INCHES		WIRING OF BAT 561, 556 AND 557 pH/ORP SENSORS TO METAL 873 TRANSMITTER	
REV	DATE	DESCRIPTION	DWN	APVD	TOLERANCES UNLESS OTHERWISE SPECIFIED			
A	1-4-02	COAX SHIELD ADDED	HWM		DECIMALS	FRACTIONS		DRAWING NO. 2P0030
					.0000 +/- .0005	+/- .015		CHECKED
					.000 +/- .005	ANGLES		APPROVED
					.00 +/- .010	+/- 30MIN		
					.0 +/- .15			
					DRAWING BY. HWM			
					SCALE	DATE	SIZE	
					NONE	11/7/01	A	
					PH(775)882-7900 FAX(775)883-6388			3 OF 8

FOR BAT 561, 556 AND 557 pH/ORP SENSORS WITH SOLUTION GROUND
WIRED TO
873 METAL ENCLOSURE TRANSMITTERS



REVISIONS					DIMENSIONS IN INCHES		
REV	DATE	DESCRIPTION	DWN	APVD	TOLERANCES UNLESS OTHERWISE SPECIFIED		
					DECIMALS	FRACTIONS	
A	1-4-02	COAX SHIELD ADDED	HWM		.0000 +/- .0005	+/- .015	
					.000 +/- .005	ANGLES	
					.00 +/- .010	+/- 30MIN	
					.0 +/- .15		
					DRAWING BY. HWM		
					SCALE	DATE	SIZE
					NONE	11/7/01	A

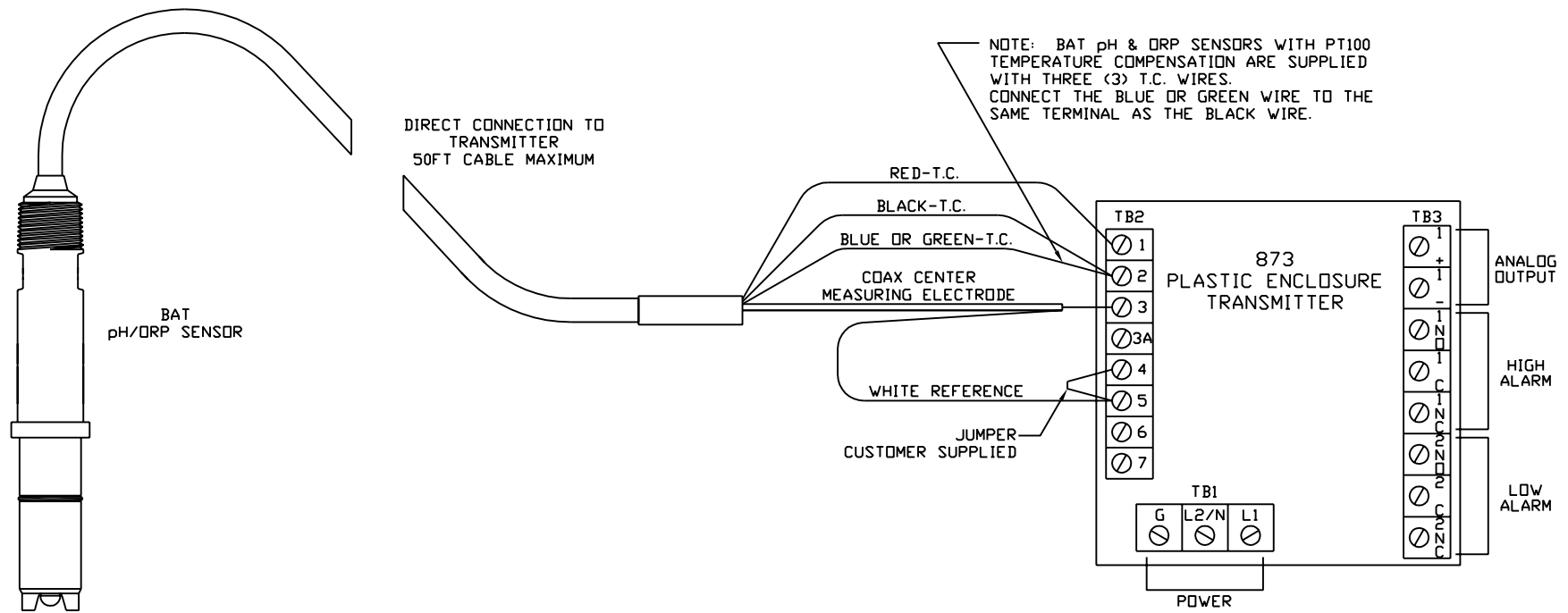
WIRING OF BAT 561, 556 AND 557 pH/ORP SENSORS TO METAL 873 TRANSMITTER



DRAWING NO. 2P0030
 CHECKED
 APPROVED

PH(775)882-7900 FAX(775)883-6388

FOR BAT 551, 546 AND 547 pH/ORP SENSORS WITHOUT SOLUTION GROUND
WIRED TO
873 PLASTIC ENCLOSURE TRANSMITTERS



REVISIONS					DIMENSIONS IN INCHES		WIRING OF BAT 551, 546 AND 547 pH/ORP SENSORS TO PLASTIC 873 TRANSMITTER	
REV	DATE	DESCRIPTION	DWN	APVD	TOLERANCES UNLESS OTHERWISE SPECIFIED			
A	1-4-02	551, 546 AND 547 ADDED	HWM		DECIMALS	FRACTIONS		
					.0000 +/- .0005	+/- .015		
					.000 +/- .005	ANGLES		
					.00 +/- .010	+/- 30MIN		
					.0 +/- .15			
					DRAWING BY. HWM			
					SCALE	DATE	SIZE	
					NONE	11/7/01	A	

BARBEN
ANALYZER
TECHNOLOGY

DRAWING NO. 2P0030

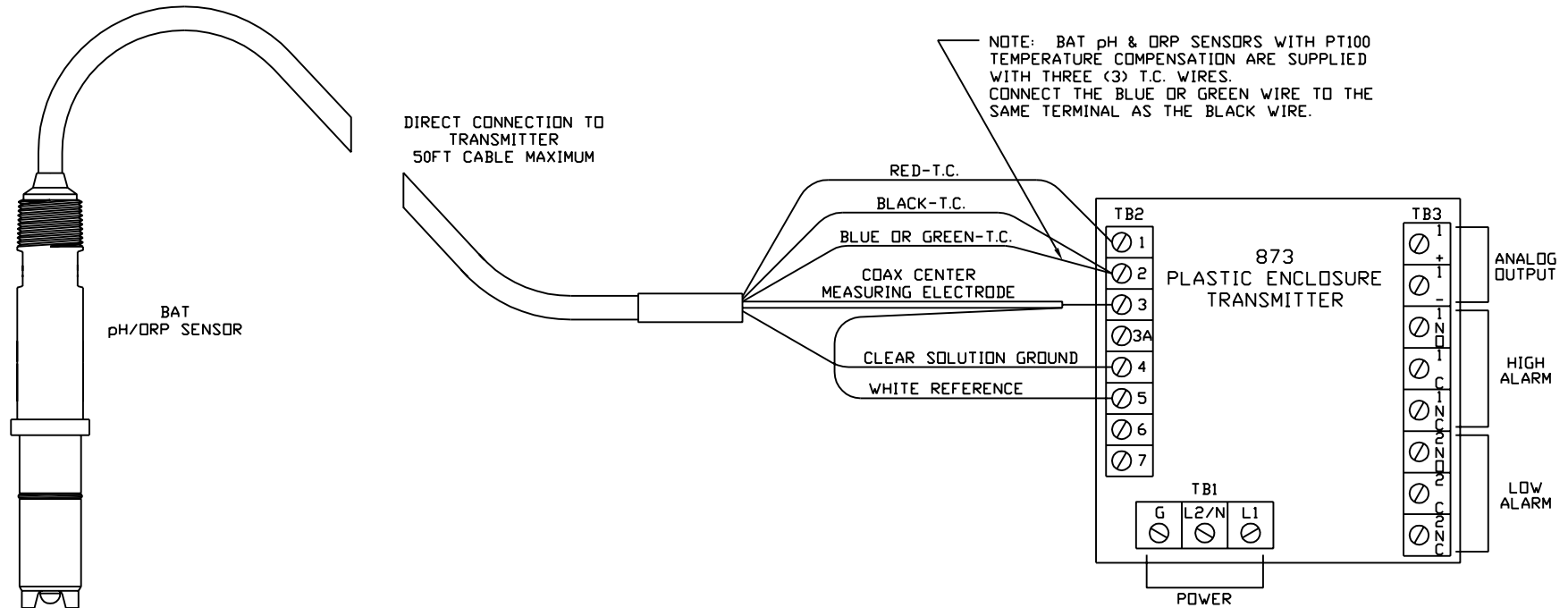
CHECKED

APPROVED

PH(775)882-7900 FAX(775)883-6388

5 OF 8

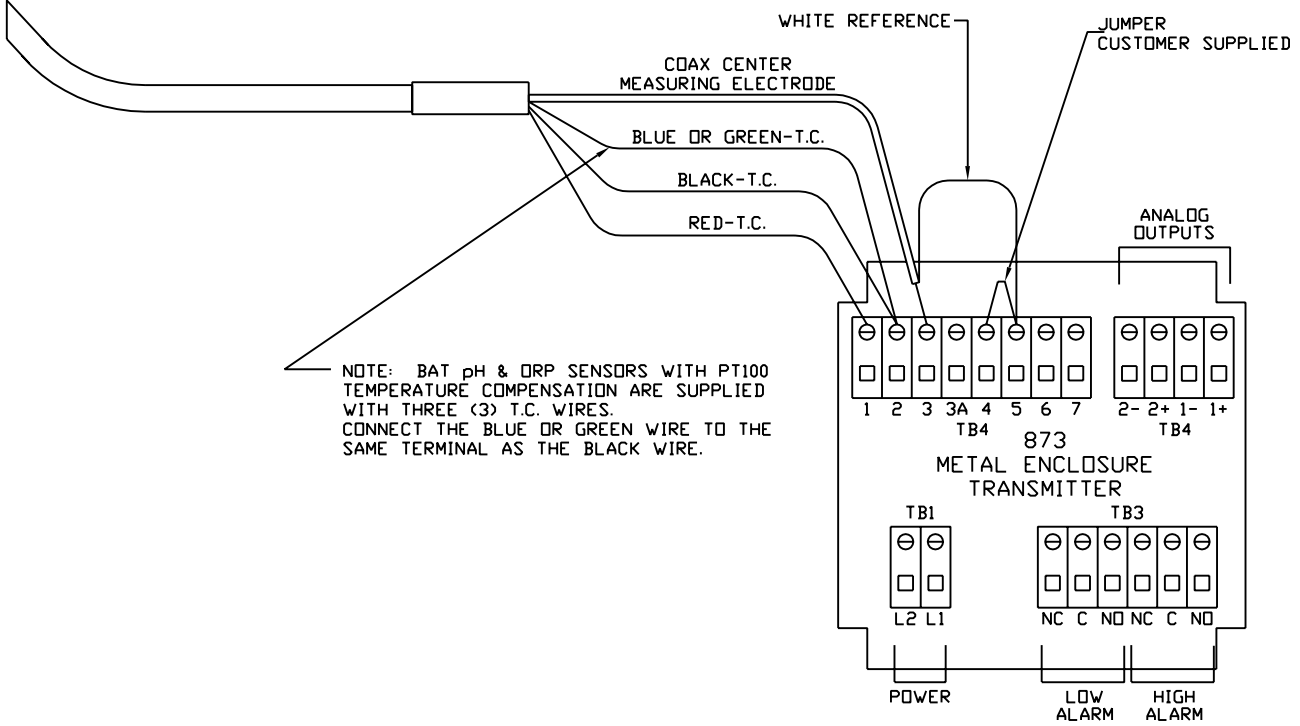
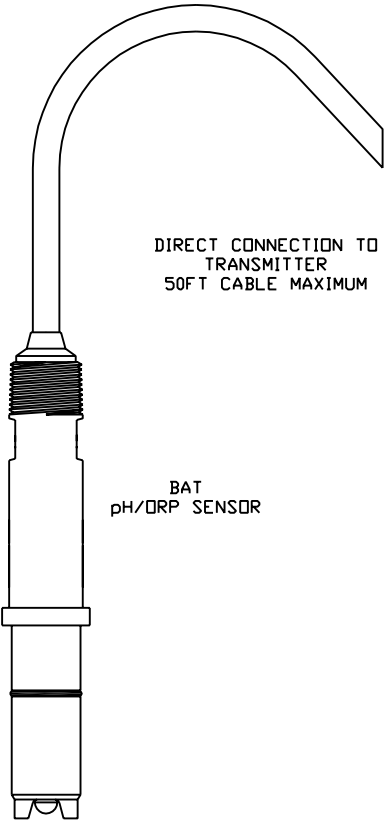
FOR BAT 551, 546 AND 547 pH/ORP SENSORS WITH SOLUTION GROUND
WIRED TO
873 PLASTIC ENCLOSURE TRANSMITTERS



REVISIONS					DIMENSIONS IN INCHES		WIRING OF BAT 551, 546 AND 547 pH/ORP SENSORS TO PLASTIC 873 TRANSMITTER	
REV	DATE	DESCRIPTION	DWN	APVD	TOLERANCES UNLESS OTHERWISE SPECIFIED			
A	1-4-02	551, 546 AND 547 ADDED	HWM		DECIMALS	FRACTIONS		DRAWING NO. 2P0030
					.0000 +/- .0005	+/- .015		CHECKED
					.000 +/- .005	ANGLES		APPROVED
					.00 +/- .010	+/- 30MIN		
					.0 +/- .15			
					DRAWING BY. HWM			
					SCALE	DATE	SIZE	
					NONE	11/7/01	A	
					PH(775)882-7900 FAX(775)883-6388			6 OF 8



FOR BAT 551, 546 AND 547 pH/ORP SENSORS WITHOUT SOLUTION GROUND
WIRED TO
873 METAL ENCLOSURE TRANSMITTERS



NOTE: BAT pH & ORP SENSORS WITH PT100 TEMPERATURE COMPENSATION ARE SUPPLIED WITH THREE (3) T.C. WIRES. CONNECT THE BLUE OR GREEN WIRE TO THE SAME TERMINAL AS THE BLACK WIRE.

REVISIONS					DIMENSIONS IN INCHES		
REV	DATE	DESCRIPTION	DWN	APVD	TOLERANCES UNLESS OTHERWISE SPECIFIED		
					DECIMALS	FRACTIONS	
A	1-4-02	551, 546 AND 547 ADDED	HWM		.0000 +/- .0005	+/- .015	
					.000 +/- .005	ANGLES	
					.00 +/- .010	+/- 30MIN	
					.0 +/- .15		
					DRAWING BY. HWM		
					SCALE	DATE	SIZE
					NONE	11/7/01	A

WIRING OF BAT 551, 546 AND 547 pH/ORP SENSORS TO METAL 873 TRANSMITTER

BARBEN
ANALYZER
TECHNOLOGY

DRAWING NO. 2P0030

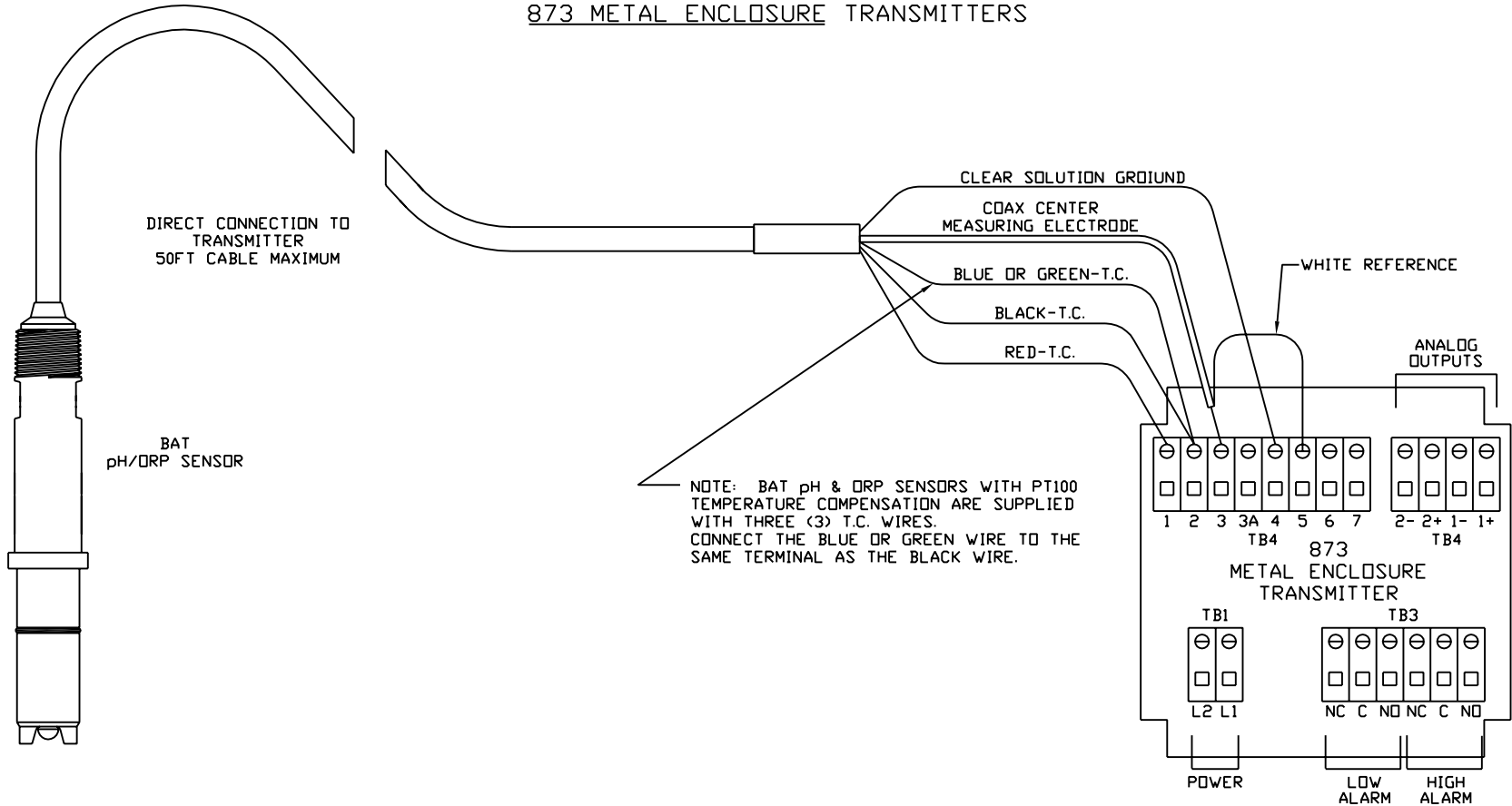
CHECKED

APPROVED

PH(775)882-7900 FAX(775)883-6388

7 OF 8

FOR BAT 551, 546 AND 547 pH/ORP SENSORS WITH SOLUTION GROUND
WIRED TO
873 METAL ENCLOSURE TRANSMITTERS



REVISIONS					DIMENSIONS IN INCHES	
REV	DATE	DESCRIPTION	DWN	APVD	TOLERANCES UNLESS OTHERWISE SPECIFIED	
					DECIMALS	FRACTIONS
A	1-4-02	551, 546 AND 547 ADDED	HWM		.0000 +/- .0005	+/- .015
					.000 +/- .005	ANGLES
					.00 +/- .010	+/- 30MIN
					.0 +/- .15	
					DRAWING BY. HWM	
					SCALE	DATE
					SIZE	
					NONE	11/7/01
						A

WIRING OF BAT 551, 546 AND 547 pH/ORP SENSORS TO METAL 873 TRANSMITTER



DRAWING NO. 2P0030
 CHECKED
 APPROVED

PH(775)882-7900 FAX(775)883-6388