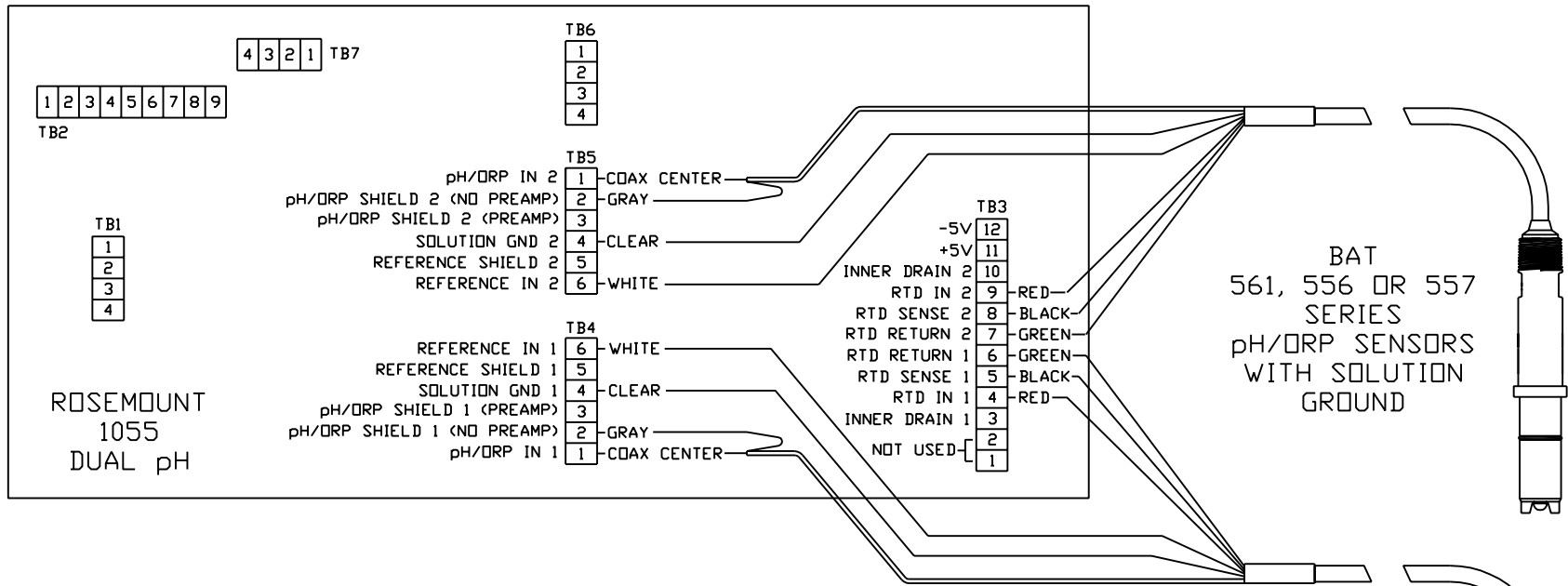


BAT 561, 556 AND 557 SERIES pH/ORP SENSORS WITH SOLUTION GROUND
WIRED TO
ROSEMOUNT 1055 ANALYZER WITHOUT PREAMPLIFIER
(PANEL MOUNT VERSION)

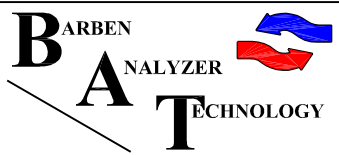
REVISIONS					DIMENSIONS IN INCHES		WIRING OF BAT 551, 556 AND 557 SERIES pH/ORP SENSORS TO ROSEMOUNT 1055 ANALYZERS	
REV	DATE	DESCRIPTION	DWN	APVD	TOLERANCES UNLESS OTHERWISE SPECIFIED		DRAWING NO. 2P0038	DRAWING BY. HWM
					DECIMALS	FRACTIONS		
					.0000 +/- .0005	+/- .015	CHECKED	APPROVED
					.000 +/- .005	ANGLES		
					.00 +/- .010	+/- 30MIN		
					.0 +/- .15			
					SCALE	DATE	SIZE	
					NONE	03/08/02	A	PH(775)882-7900 FAX(775)883-6388



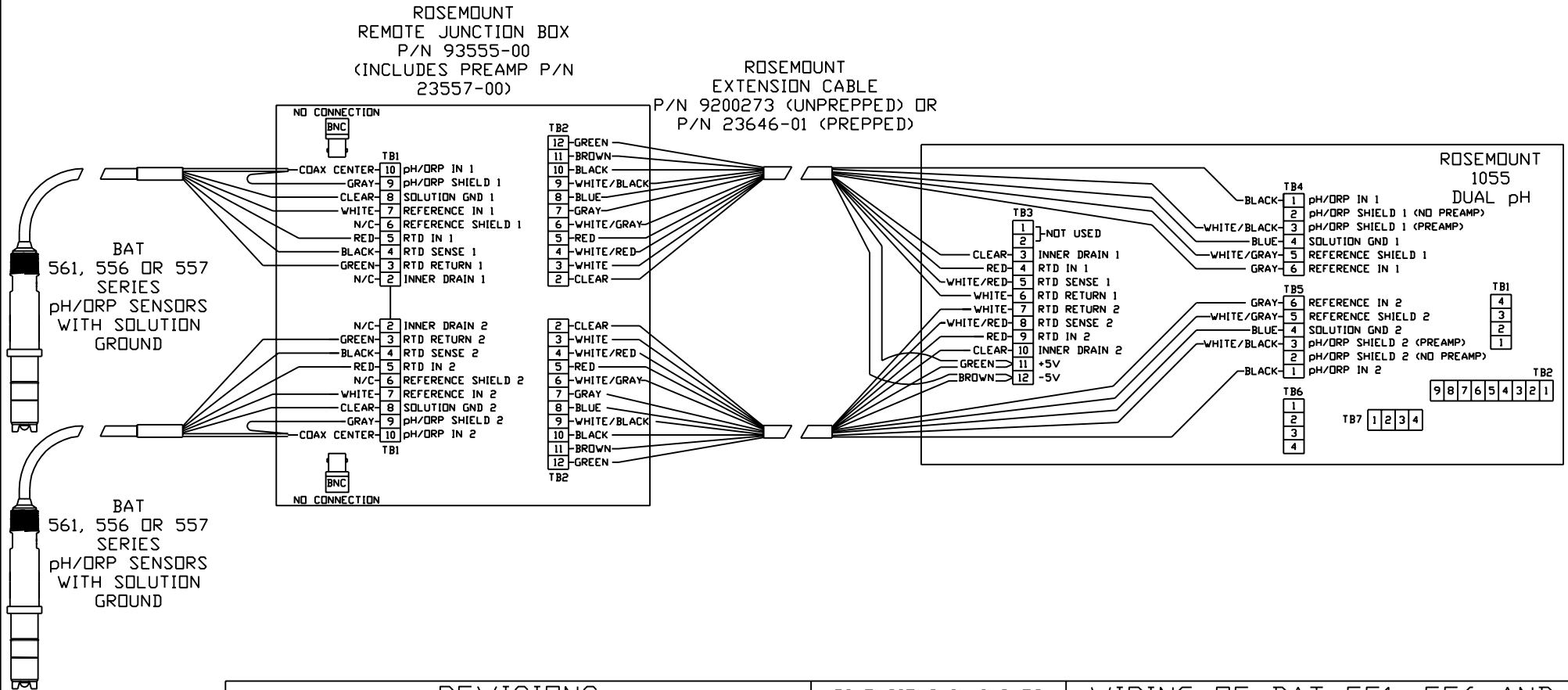


BAT 561, 556 AND 557 SERIES pH/ORP SENSORS WITH SOLUTION GROUND WIRED TO ROSEMOUNT 1055 ANALYZER WITHOUT PREAMPLIFIER (SURFACE/PIPE MOUNT VERSION)

BAT 561, 556 OR 557 SERIES pH/ORP SENSORS WITH SOLUTION GROUND

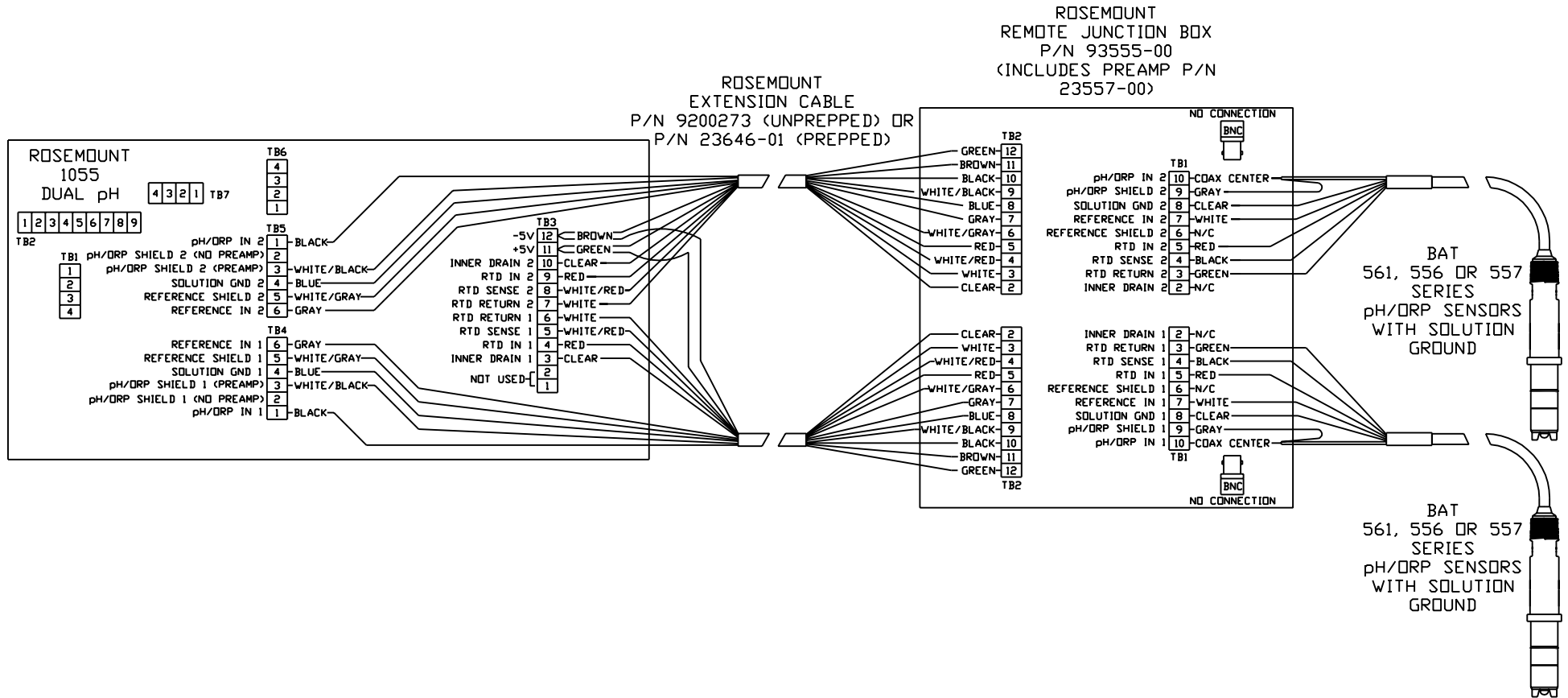
REVISIONS					DIMENSIONS IN INCHES		WIRING OF BAT 551, 556 AND 557 SERIES pH/ORP SENSORS TO ROSEMOUNT 1055 ANALYZERS	
REV	DATE	DESCRIPTION	DWN	APVD	TOLERANCES UNLESS OTHERWISE SPECIFIED			DRAWING NO.
					DECIMALS	FRACTIONS		2P0038
					.0000 +/- .0005	+/- .015		CHECKED
					.000 +/- .005	ANGLES		APPROVED
					.00 +/- .010	+/- 30MIN		
					.0 +/- .15			
					DRAWING BY. HWM			
					SCALE	DATE	SIZE	
					NONE	03/08/02	A	PH(775)882-7900 FAX(775)883-6388

BAT 561, 556 AND 557 SERIES pH/ORP SENSORS WITH SOLUTION GROUND
WIRED TO
ROSEMOUNT 1055 ANALYZER WITH PREAMPLIFIER
(PANEL MOUNT VERSION)



REVISIONS					DIMENSIONS IN INCHES		TOLERANCES UNLESS OTHERWISE SPECIFIED		WIRING OF BAT 551, 556 AND 557 SERIES pH/ORP SENSORS TO ROSEMOUNT 1055 ANALYZERS	
REV	DATE	DESCRIPTION	DWN	APVD	DECIMALS	FRACTIONS				
					.0000 +/- .0005	+/- .015				
					.000 +/- .005	ANGLES				
					.00 +/- .010	+/- 30MIN				
					.0 +/- .15					
					DRAWING BY: HWM					
					SCALE	DATE	SIZE			DRAWING NO. 2P0038 CHECKED APPROVED
					NONE	03/08/02	A			
PH(775)882-7900 FAX(775)883-6388										3 OF 4

BAT 561, 556 AND 557 SERIES pH/ORP SENSORS WITH SOLUTION GROUND
WIRED TO
ROSEMOUNT 1055 ANALYZER WITH PREAMPLIFIER
(SURFACE/PIPE MOUNT VERSION)



REVISIONS					DIMENSIONS IN INCHES			WIRING OF BAT 551, 556 AND 557 SERIES pH/ORP SENSORS TO ROSEMOUNT 1055 ANALYZERS	
REV	DATE	DESCRIPTION	DWN	APVD	TOLERANCES UNLESS OTHERWISE SPECIFIED		DRAWING NO. 2P0038		
					DECIMALS	FRACTIONS			
					.0000 +/- .0005	+/- .015			
					.000 +/- .005	ANGLES			
					.00 +/- .010	+/- 30MIN			
					.0 +/- .15		APPROVED		
					DRAWING BY. HWM			PH(775)882-7900 FAX(775)883-6388	
					SCALE	DATE	SIZE		
					NONE	03/08/02	A		