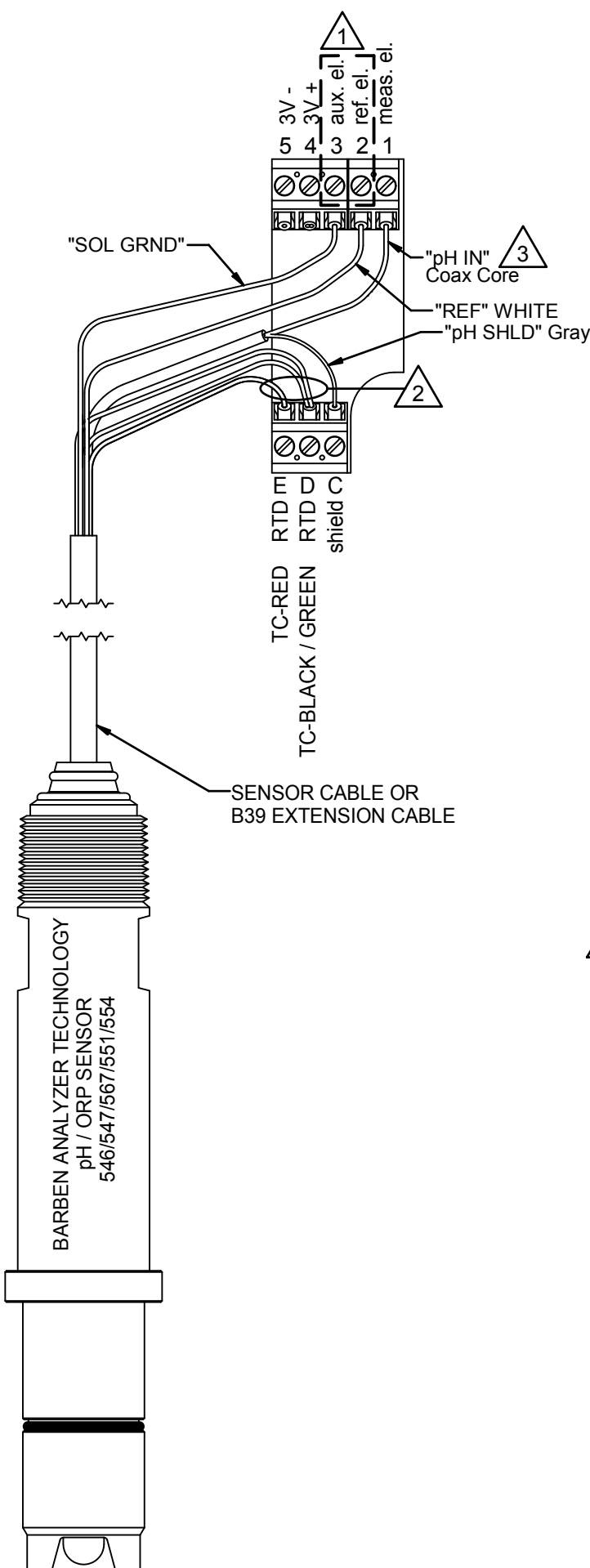


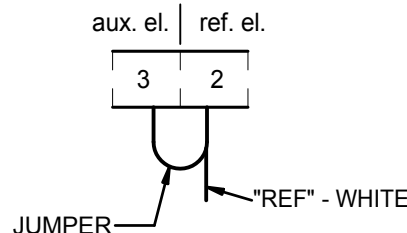
BARBEN ANALYZER TECHNOLOGY (BAT) pH/ORP SENSOR - WIRED TO METTLER-TOLEDO 2100e
 BAT SENSOR CONFIGURATION: "E" TERMINATION



"IMPORTANT WARNING"

1 THE WIRING SHOWS A SENSOR WITH A "SOL GRND" WHICH IS AVAILABLE IN MODELS WITH (GT, UT & LT) e.g. (B-V-546-X-LT-X-X-X-X-X)

FOR SENSORS WITHOUT SOLUTION GROUND (FT, ST & DT) YOU MUST INSTALL A JUMPER



AND SENSOR DIAGNOSTICS MUST BE TURNED OFF.

2 FOR SENSORS W/O TC, DISREGARD TC WIRES. PROGRAM ANALYZER FOR MANUAL TEMPERATURE COMPENSATION.

NOTE: 2100e ACCEPTS 2-WIRE TC's. USERS CAN WIRE AS SHOWN OR IF PREFERRED CUT BACK GREEN "TC RET" LEAD IF SUPPLIED.

3 FOR ORP SENSORS COAX CORE WILL BE LABELED "ORP IN" AND WIRING IS THE SAME.

ANALYZER CONFIGURATION AND SETTINGS

• WIRING

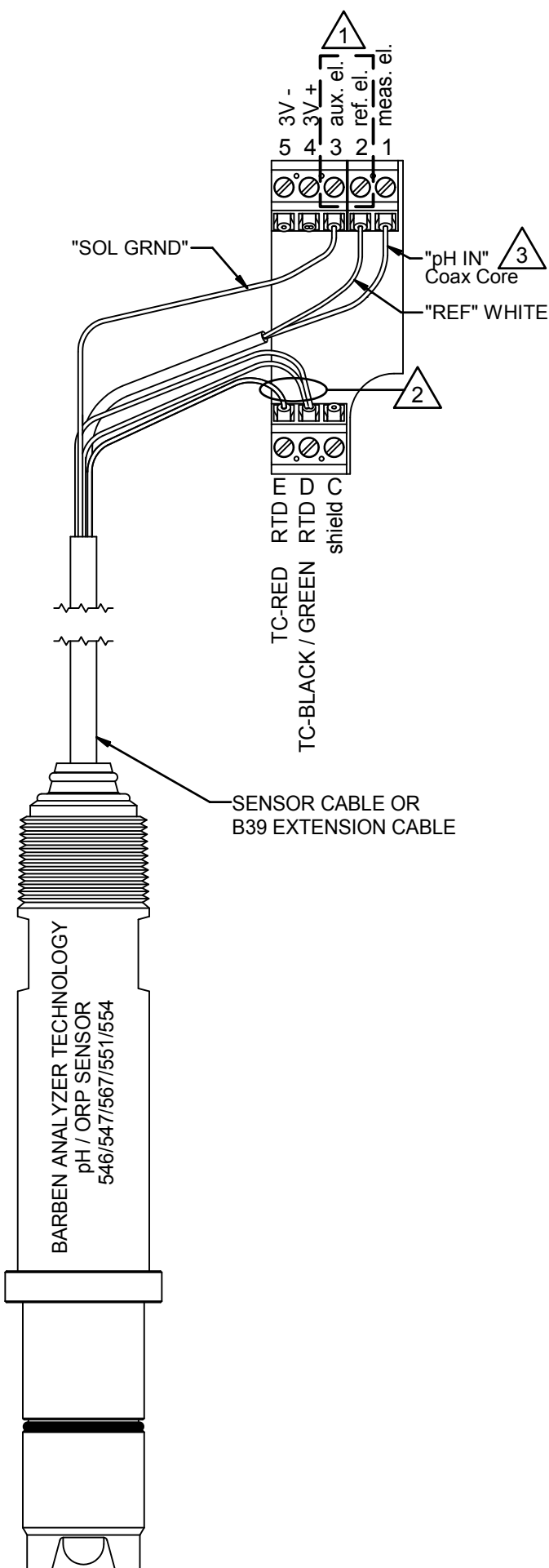
Description	Terminal - Label
1 "pH IN" - Coax Core Wire	(1) Meas. El.
"REF" - White	(2) Ref. El.
"SOL GRND" - Clear (Drain)	(3) Aux. El.
"pH SHLD" - Coax Shield	(C) Shield
"TC RET" - Green (PT100, PT1000)	(D) RTD
"TC SNSE" - Black	(D) RTD
"TC IN" - Red	(E) RTD

- Select PT100, PT1000 OR 8550Ω RTD's
- Select automatic temperature compensation mode.

-	07/15/13	INITIAL	WC	JL
REV	DATE	DESCRIPTION	DWN	APVD

REVISIONS				
BAT pH/ORP SENSOR "E" TERMINATION METTLER-TOLEDO 2100e				
FOR 2100e TO BAT pH SENSORS				
DIMENSIONS IN INCHES				
TOLERANCES		Analyzer Technology, LLC 5200 Convair Drive Carson City, NV 89706 PH(775)883-2500 FAX (775)297-4740		
.0 ± .015"		DRAWN BY W. COWAN ECO DRAWING NO APVD BY J. LANG 1727 2P0274 DATE 07/15/2013 SCALE 1:1 SIZE A SHEET 1 OF 2		
.00 ± .010"				
.000 ± .005"				
FRACTIONAL ALL ± .015"		O'BRIEN		
ANGLES ± 1/4°		UNLESS OTHERWISE SPECIFIED		

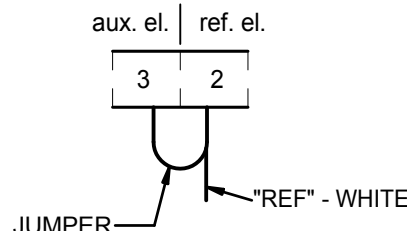
BARBEN ANALYZER TECHNOLOGY (BAT) pH/ORP SENSOR - WIRED TO METTLER-TOLEDO 2100e
 BAT SENSOR CONFIGURATION: "C" TERMINATION



"IMPORTANT WARNING"

1 THE WIRING SHOWS A SENSOR WITH A "SOL GRND" WHICH IS AVAILABLE IN MODELS WITH (GT, UT & LT) e.g. (B-V-546-X-LT-X-X-X-X-X)

FOR SENSORS WITHOUT SOLUTION GROUND (FT, ST & DT) YOU MUST INSTALL A JUMPER



AND SENSOR DIAGNOSTICS MUST BE TURNED OFF.

2 FOR SENSORS W/O TC, DISREGARD TC WIRES. PROGRAM ANALYZER FOR MANUAL TEMPERATURE COMPENSATION.

NOTE: 2100e ACCEPTS 2-WIRE TC's. USERS CAN WIRE AS SHOWN OR IF PREFERRED CUT BACK GREEN "TC RET" LEAD IF SUPPLIED.

3 FOR ORP SENSORS COAX CORE WILL BE LABELED "ORP IN" AND WIRING IS THE SAME.

ANALYZER CONFIGURATION AND SETTINGS

• WIRING

Description	Terminal - Label
3 "pH IN" - Coax Core Wire	(1) Meas. El.
"REF" - White	(2) Ref. El.
"SOL GRND" - Clear (Drain)	(3) Aux. El.
"TC RET" - Green (PT100, PT1000)	(D) RTD
"TC SNSE" - Black	(D) RTD
"TC IN" - Red	(E) RTD

- Select PT100, PT1000 or 8550Ω RTD's
- Select automatic temperature compensation mode.

-	07/15/13	INITIAL	WC	JL
REV	DATE	DESCRIPTION	DWN	APVD

REVISIONS				
BAT pH/ORP SENSOR "C" TERMINATION METTLER-TOLEDO 2100e				
FOR 2100e TO BAT pH SENSORS				
DIMENSIONS IN INCHES		FRACTIONAL ALL ± .015"		
TOLERANCES		.0 ± .015" .00 ± .010" .000 ± .005"		
ANGLES ± 1/4°		UNLESS OTHERWISE SPECIFIED		
DRAWN BY W. COWAN		ECO 1727		DRAWING NO 2P0274
APVD BY J. LANG		DATE 07/15/2013		SCALE 1:1
		SIZE A		SHEET 2 OF 2

