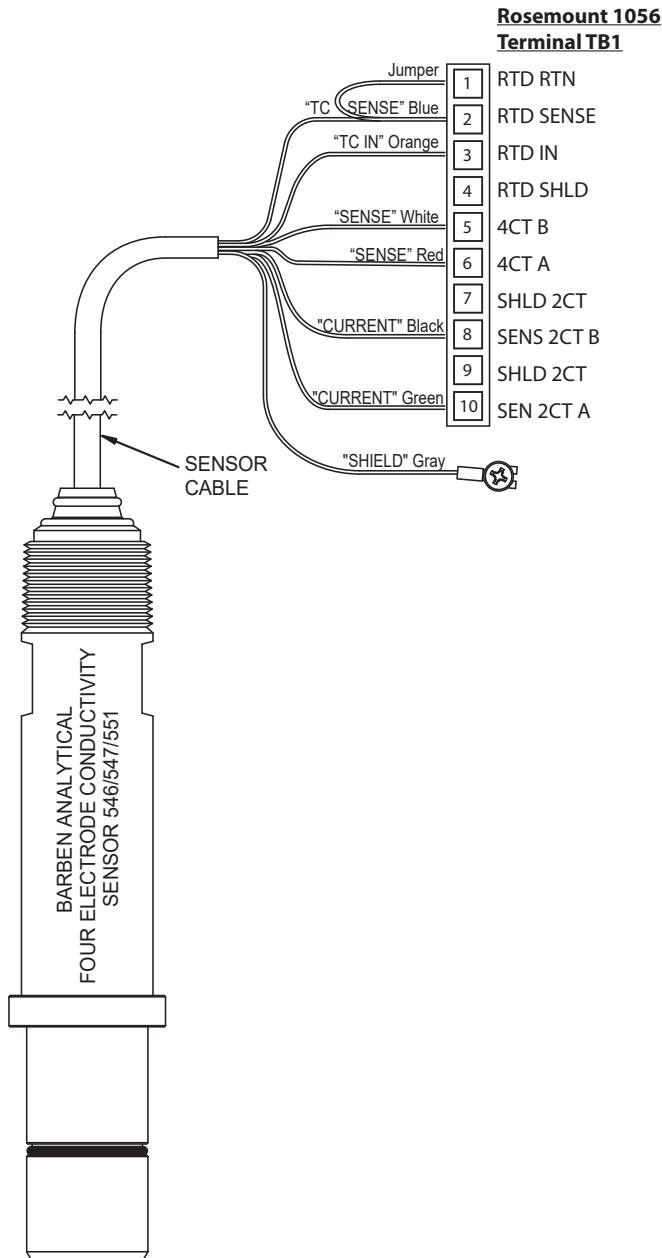


BARBEN FOUR ELECTRODE SENSOR

ANALYZER CONFIGURATION & SETTINGS



• WIRING

Sensor Lead

- Jumper (customer supplied)
- "TC SENSE" - Blue
- "TC IN" - Orange
- "SENSE" - White
- "SENSE" - Red
- "CURRENT" - Black
- "CURRENT" - Green
- "SHIELD" - Gray

Analyzer Terminal

- (1) RTD RTN
- (2) RTD SENSE
- (3) RTD IN
- (5) 4CT B
- (6) 4CT A
- (8) SENS 2CT B
- (10) SENS 2CT A
- Chassis Ground

- THE BARBEN FOUR ELECTRODE SENSOR MUST HAVE PT100 OR PT1000 TEMPERATURE SENSOR. A 3K BALCO STYLE TEMPERATURE SENSOR WILL NOT WORK (THE 1056 ANALYZER WILL AUTO DETECT THE TYPE OF SENSOR)

Barben Analytical reserves the right to make technical changes or modify the contents of this document without prior notice. We reserve all rights in this document and in the subject matter and illustrations contained within.